



PRZ-3100

Hay Tedder

Spare Parts

issue 1e - 6/2023

TABLE 1 - PLANCHE 1 - DISEÑO 1

3P

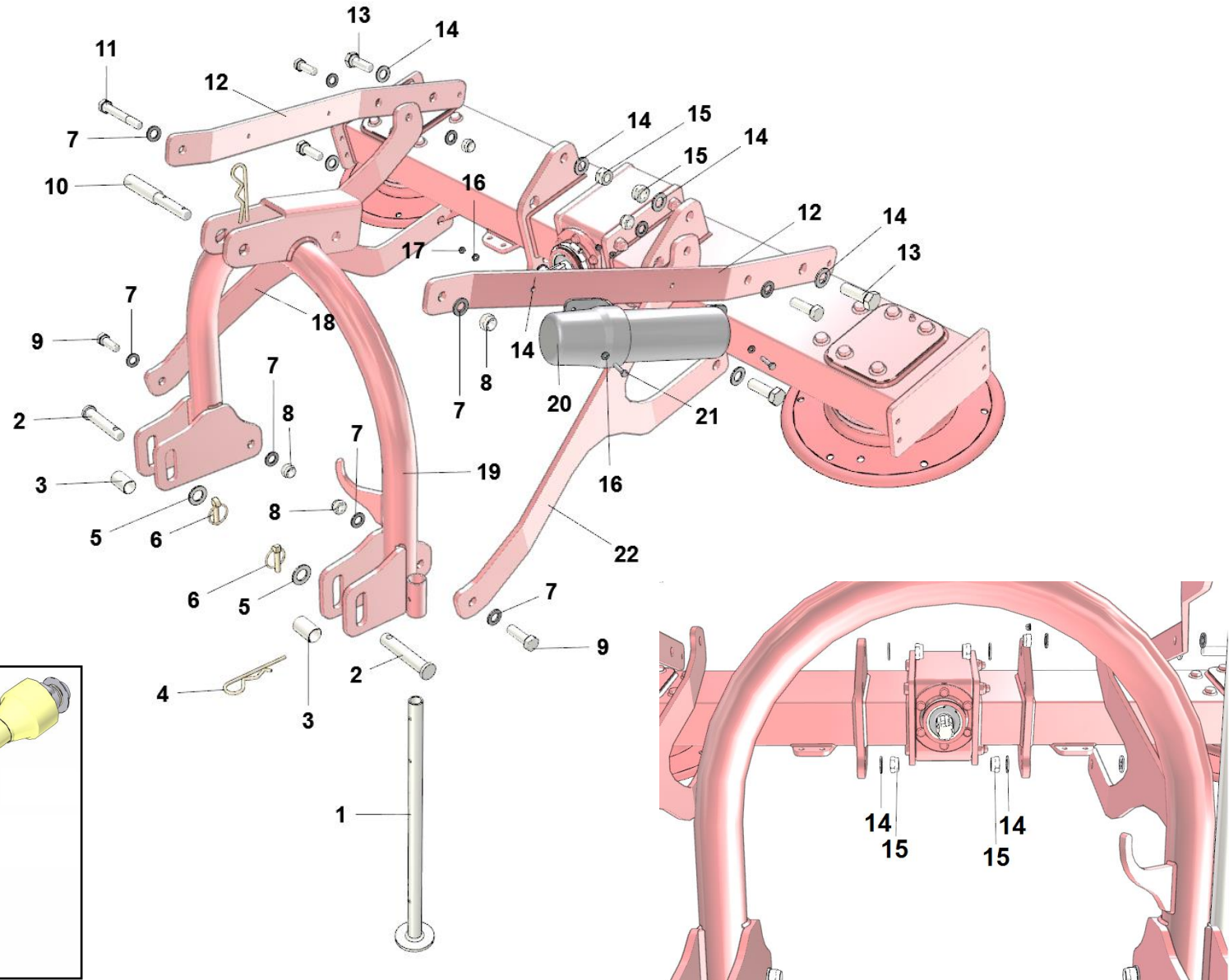


TAVOLA 2 - TABLE 2 - PLANCHE 2 - DISEÑO 2 (1/2)

3P

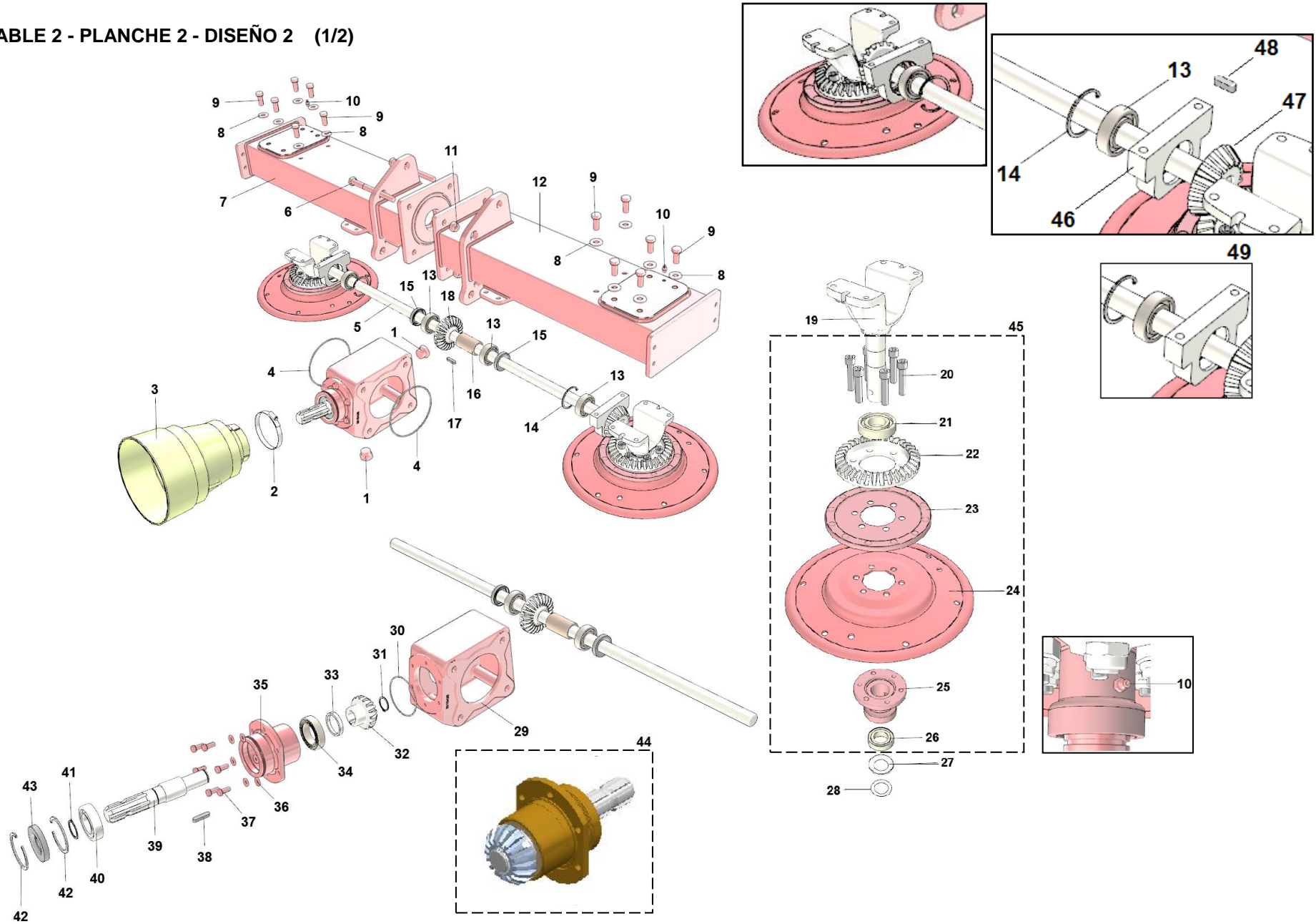


TABLE 2 - TABLE 2 - TABLA 2 (1/2)

Nr.	CODE - CODE - CÓDIGO	DESCRIPTION	DESCRIPTION	DESCRIPCION	
1	4010816	PLUG 3/4	BOUCHON 3/4	TAPON 3/4	
2	4010702	BAND	BANDA	ABRAZADERA	
3	9070101	COVER	CONTRE-BOL	VAINA SECUNDARIA	
4	10010702	O-RING – 2.255 142,5x3,53			
5	12010202	CENTRAL DRIVE AXLE Ø30x1224	AXE TRASMISSION CENTRAL Ø30x1224	EJE TRANSMISION CENTRAL Ø30x1224	
6	3010813	HH SCREW M14X170 ZN	VIS TH M14X170 ZN	TORNILLO CH M14X170 ZN	
7	13071876	R ARM			
8	3030800	WASHER M12 S.E.	RONDELLE M12 S.E.	ARANDELA M12 S.E.	
9	3010228	HH SCREW M12X30	VIS TH M12X30	TORNILLO CH M12X30	
10	3090101	GREASE ZERK M8X1	GRAISSEUR M8X1	ENGRASADOR M8X1	
11	3020203	SELF LOCKING NUT M14	ECROU DE SECURITE M14	TUERCA AUTOBLOQUEO M14	
12	13071875	L ARM			
13	12240108	BEARING 6206 2RS	ROULEMENT 6206 2RS	COJINETE 6206 2RS	
14	3120108	SNAP RING I.62	BAGUE DE SECURITE I.62	ANILLO DE SEGURIDAD I.62	
15	12260002	OIL SEAL – ATG 1 55X30X10			
16	12070330	SPACER 42X8X74	ENTRETOISE 42X8X74	SEPARADOR 42X8X74	
17	3110002	TAB 8X7X35	CLAVETTE 8X7X35	LENGUETA 8X7X35	
18	8010304	CROWN FOR CENTRAL BOX	COURONNE GROUPE CENTRAL	CORONA GRUPO CENTRAL	
19	18034226	CENTRAL PIN WITH BRACKET	GOUPILLE CENTRAL AVEC SUPPORT	PIVOTE CENTRAL CON SOPORTE	
20	3010605	SCREW T.C.E.I. M12X55			
21	12240109	BEARING 6207	ROULEMENT 6207	COJINETE 6207	
22	18031169	BEVEL CROWN FOR ROTOR	COURONNE CONIQUE POR ROTOR	CORONA CONICA PARA ROTOR	
23	18033532	PROTECTION SCREEN	PLAQUE DE PROTECTION	BARRIERA DE PROTECTION	
24	18037441	ARM CONNECTION FLANGE	BRIDE RACCORD BRAS	BRIDA CONEXION BRAZO	
25	18031171	SAFETY LOOP	BOUCLE DE SECURITE'	BUCLE DE SEGURIDAD	
26	12240160	BEARING 32007A	ROULEMENT 32007A	COJNETEO 32007A	
27	10011315	NILOS RING 32007 AV	ANNEAU NILOS 32007 AV	ANILLO NILOS 32007 AV	
28	3120126	AXIAL WASHER PS 355205	CRAPADINE PS 355205	ARANDELA PS 355205	
29	18033776	HAY TEDDEER GEARBOX	GROUPE CENTRAL FANEUR	GRUPO CENTRAL VOLTEADORA	
30	10010741	O-RING - 8-2-154			

TABLE 2 - PLANCHE 2 - DISEÑO 2 (2/2)

3P

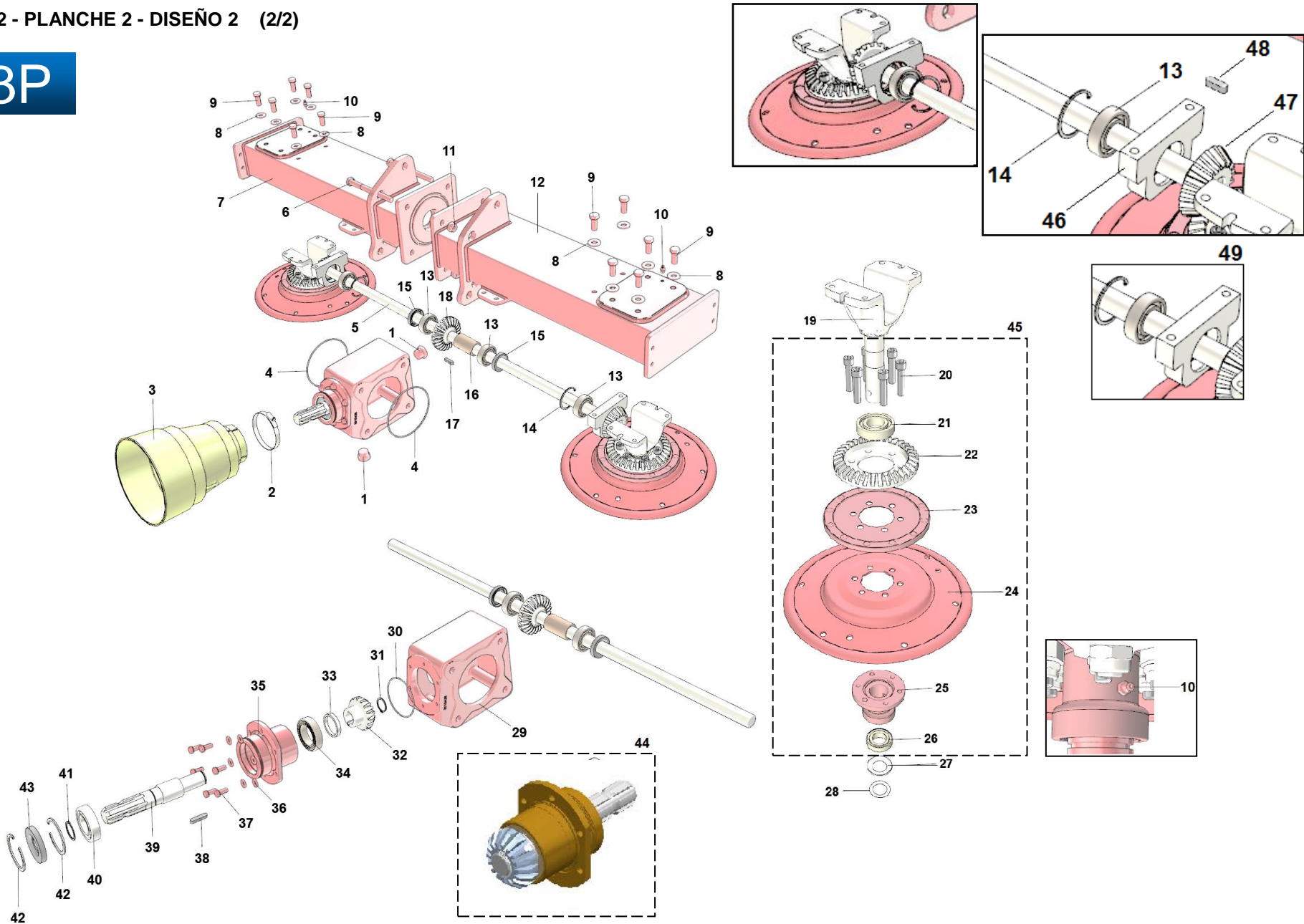


TABLE 3 - PLANCHE 3 - DISEÑO 3

3P

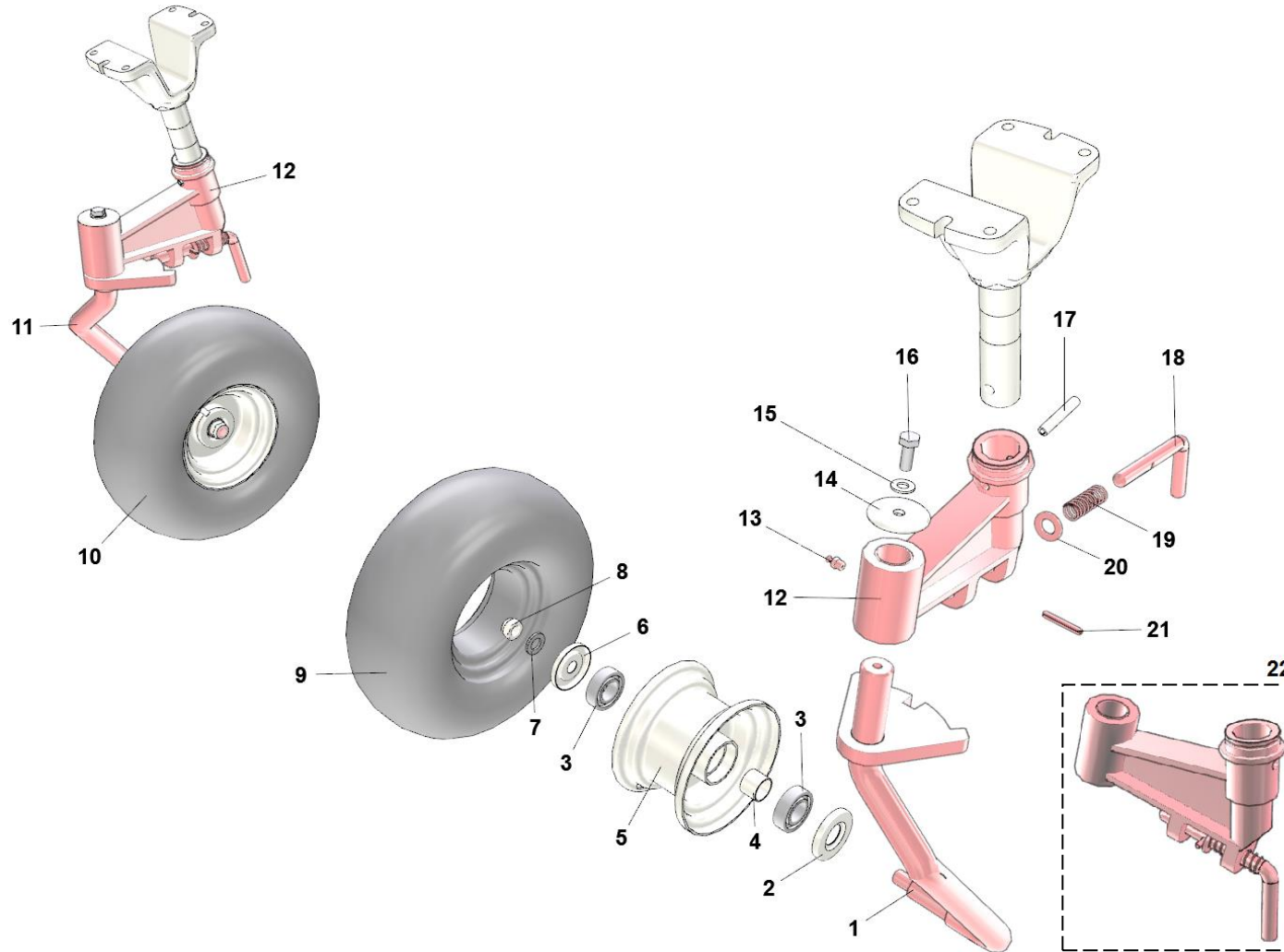


TABLE 3 - TABLE 3 - TABLA 3

Nr.	CODE - CODE - CÓDIGO	DESCRIPTION	DESCRIPTION	DESCRIPCION
1	18031102	L ROTATING WHEEL AXLE		
2	12070314	INTERNAL SHIELD	PARA-POUSSIÈRE INT.	ANTIPOLVO INT.
3	12240128	BEARING 6205 2RS	ROULEMENT 6205 2RS	COJINETE 6205 2RS
4	12070307	SPACER	ENTRETOISE	ESPACIADOR
5	12070311	WHEEL RIM		
6	12070315	EXTERNAL SHIELD	PARA-POUSSIÈRE EST.	ANTIPOLVO EST.
7	3030175	WASHER 30X17X3 ZN	RONDELLE 30X17X3 ZN	ARANDELA 30X17X3 ZN
8	3020204	SELF LOCKING NUT M16	ECROU A BLOCAGE AUT. M16	TUERCA AUTOBLOCQ. M16
9	12070313	TYRE 15.600.6		
9.1	12070312	AIR TUBE 15.600.6		
10	12170103	WHEEL COMPLETE 15/600/6	ROUE COMPLETE 15/600/6	RUEDA COMPLETA 15/600/6
11	18031101	R ROTATING WHEEL AXLE		
12	18031103	ROTATING WHEEL ATTACHMENT		
13	3090101	GREASE ZERK M8X1	GRAISS DROITS M8X1	LUBRIFICADOR RECTO M8X1
14	18031104	UPPER WASHER		
15	3030159	WASHER M10 ZN	RONDELLE M10 ZN	ARANDELA M10 ZN
16	3011211	HH SCREW M10X25 ZN	VIS TH M10X25 ZN	TORNILLO CH M10X25 ZN
17	3080141	ELASTIC PIN 10X55	ELASTIC GOUPILLE 10X55	PASADOR PARTIDO 10X55
18	12880504	LOCKING HANDLE		
19	11010603	SPRING	RESSORT	MUELLE
20	3030175	WASHER M16 ZN	RONDELLE M16 ZN	ARANDELA M16 ZN
21	3080103	ELASTIC PIN 6X40	ELASTIC GOUPILLE 6X40	PASADOR PARTIDO 6X40
22	18034051	ROTATING WHEEL ATTACHMENT UNIT		

TABLE 4 - PLANCHE 4 - DISEÑO 4

3P

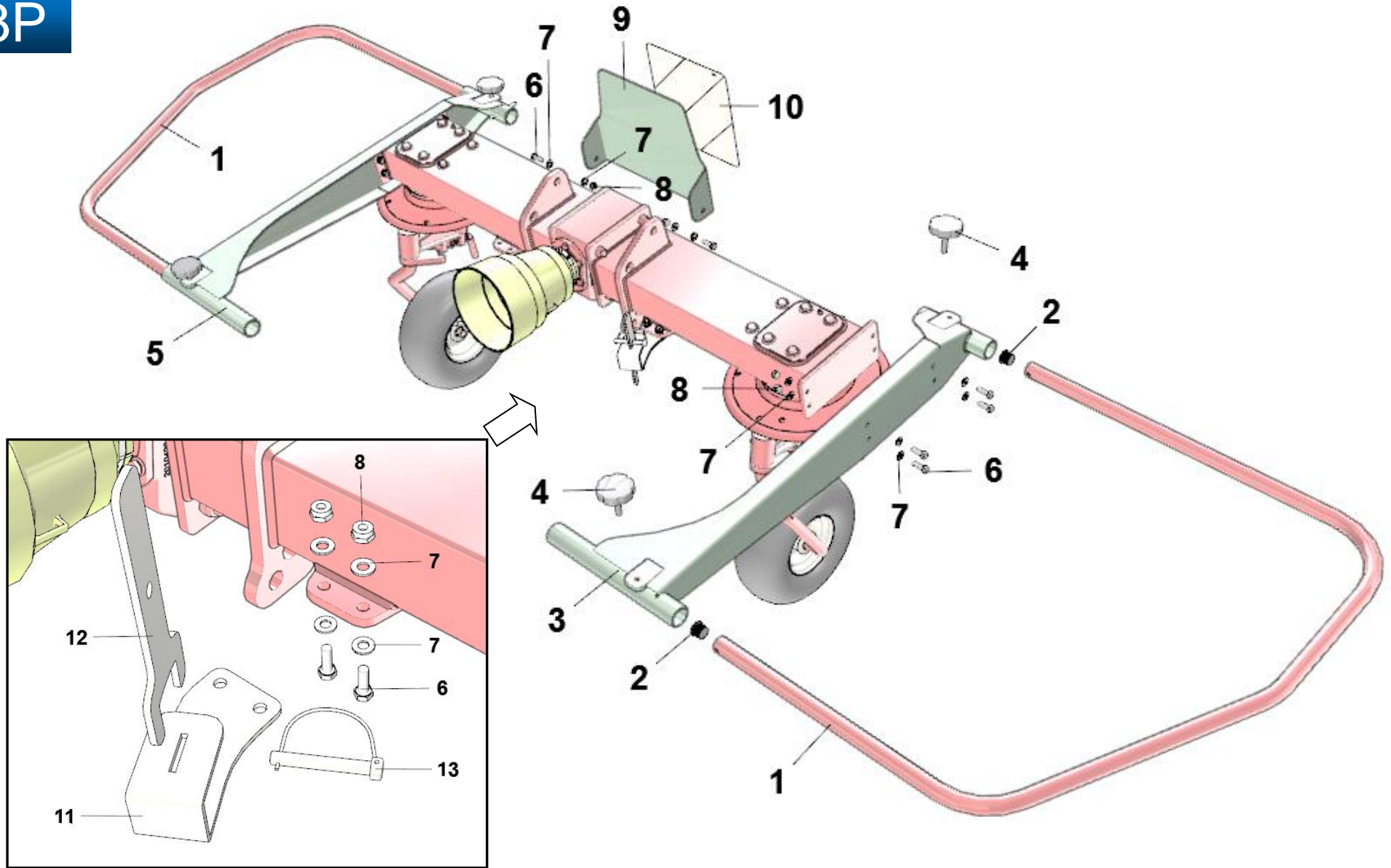


TABLE 5 - PLANCHE 5 - DISEÑO 5

3P

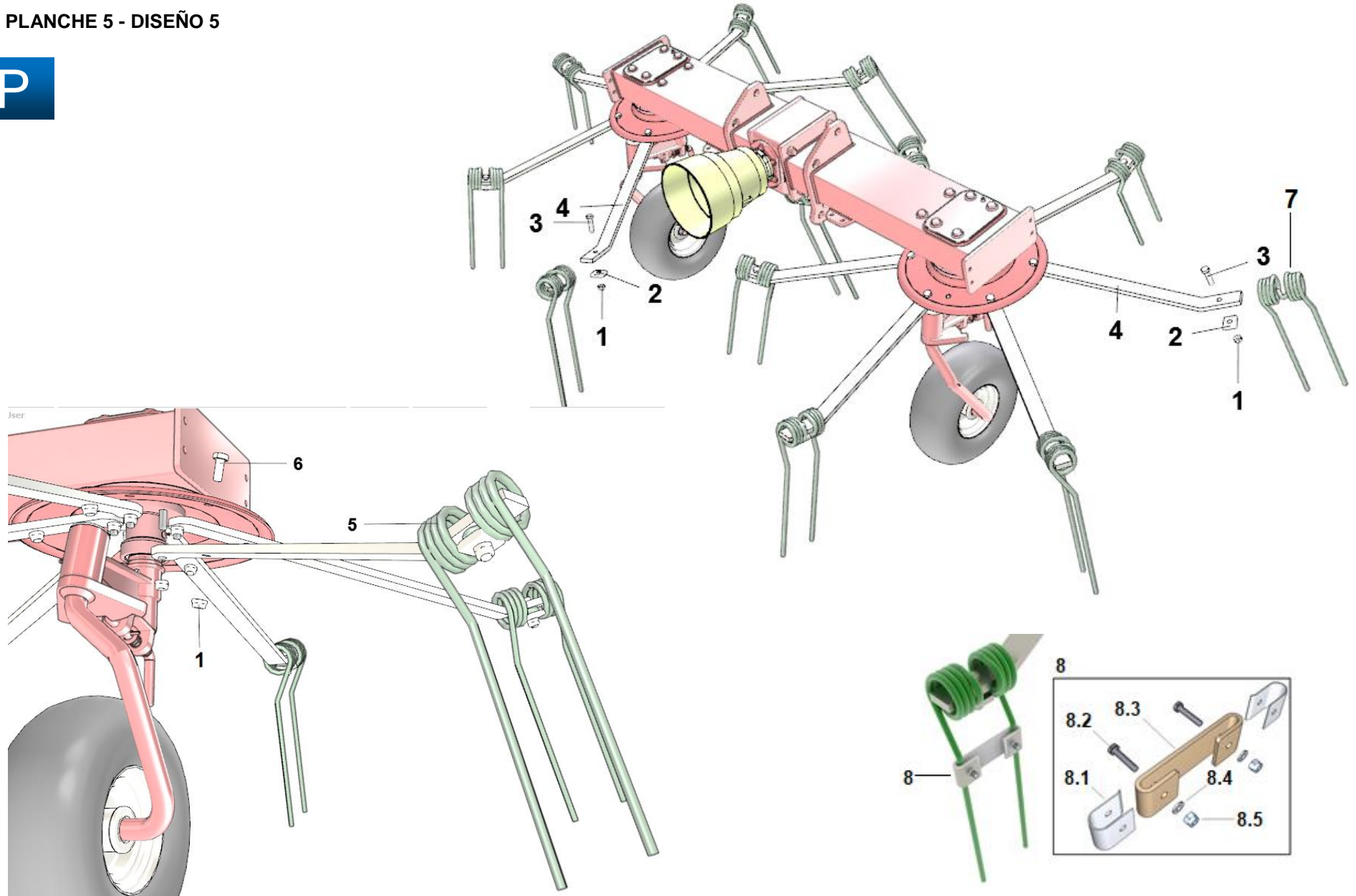


TABLE 6 - PLANCHE 6 - DISEÑO 6

PT

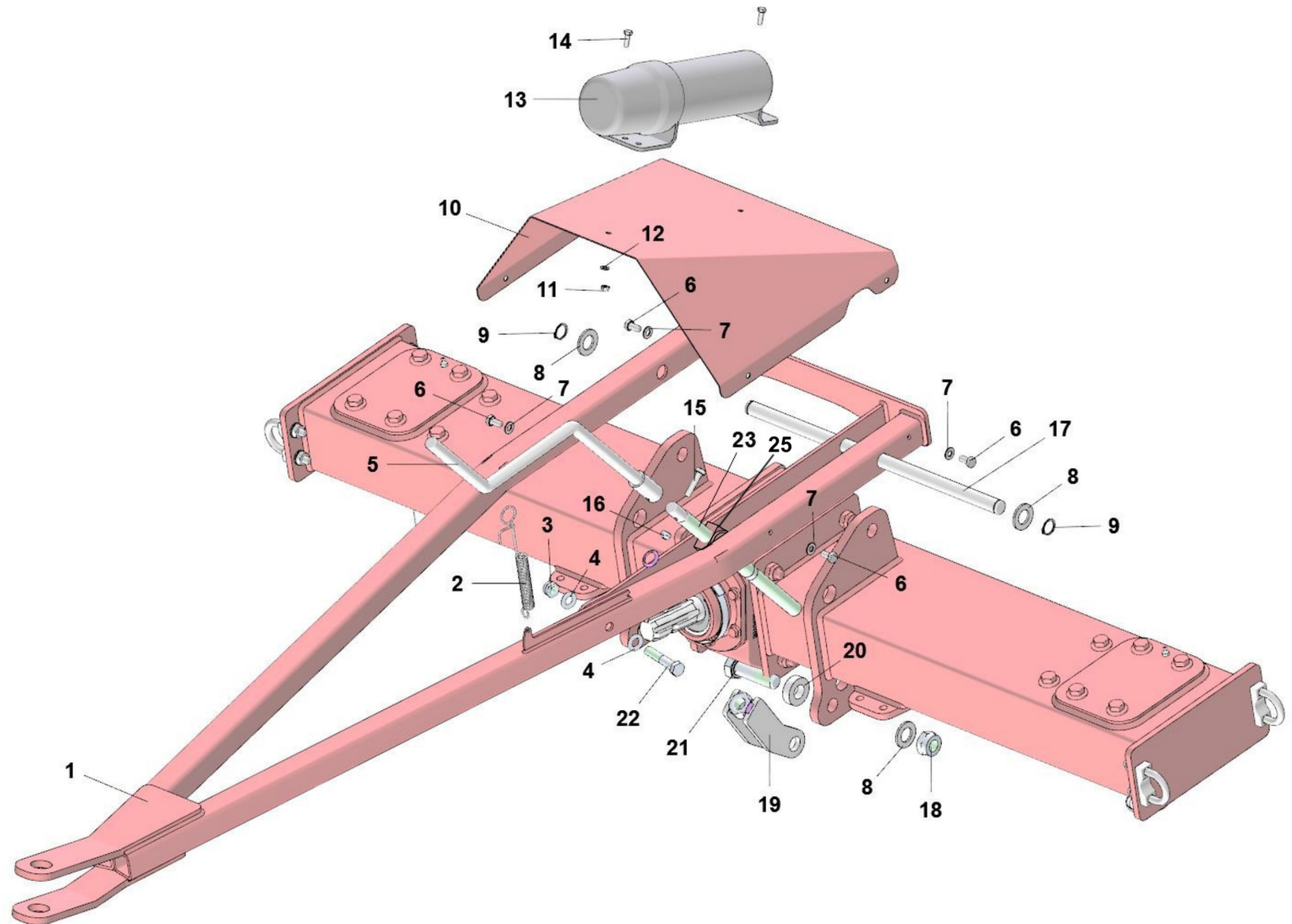
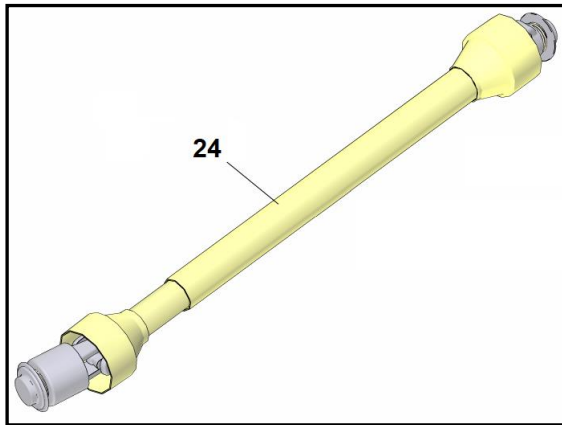


TABLE 6 - TABLE 6 - TABLA 6

Nr.	CODE - CODE - CÓDIGO	DESCRIPTION	DESCRIPTION	DESCRIPCION	
1	18070211	HELM	FLECHE	TIMON	
2	11010523	HOOK SPRING			
3	3020202	SELF LOCKING NUT M12	ECROU A BLOCAGE AUT. M12	TUERCA AUTOBLOCQ. M12	
4	3030162	WASHER M12 ZN	RONDELLE M12 ZN	ARANDELA M12 ZN	
5	18030652	HANDLE	MANILLE	MANGUERA	
6	3011221	HH SCREW M8X16 ZN	VIS TH M8X16 ZN	TORNILLO CH M8X16 ZN	
7	3030156	WASHER M8 ZN	RONDELLE M8 ZN	ARANDELA M8 ZN	
8	3030168	WASHER M20 ZN	RONDELLE M20 ZN	ARANDELA M20 ZN	
9	3120107	SNAP RING Ø20E	BAGUE DE SECURITE Ø20E	ANILLO DE SEGURIDAD Ø20E	
10	18070209	UPPER CARTER			
11	30202013	SELF LOCKING NUT M6	ECROU AUTO BLOQUANT M6	TUERCA AUTOBLOCQ. M6	
12	3030158	WASHER M6 ZN	RONDELLE M6 ZN	ARANDELA M6 ZN	
13	9080022	MANUAL HOLDER			
14	3011680	HH SCREW M6X18 ZN	VIS TH M6X18 ZN	TORNILLO CH M6X18 ZN	
15	3011252	HH SCREW M8X35 ZN	VIS TH M8X35 ZN	TORNILLO CH M8X35 ZN	
16	3020209	SELF LOCKING NUT M8	ECROU AUTO BLOQUANT M8	TUERCA AUTOBLOCQ. M8	
17	18070210	HELM ROD			
18	3020216	SELF LOCKING NUT M20	ECROU A BLOCAGE AUT. M20	TUERCA AUTOBLOCQ. M20	
19	18030653	ADJUSTING FORK			
20	18037499	WASHER - Ø30xØ20,5x12			
21	3011299	HH SCREW M20X70 ZN	VIS TH M20X70 ZN	TORNILLO CH M20X70 ZN	
22	3011653	HH SCREW M16X65 ZN	VIS TH M16X65 ZN	TORNILLO CH M16X65 ZN	
23	18037449	ADJUSTING TIE ROD			
24	8020436	CARDAN SHAFT			
25	18034053	#10 Split nut 20MA			

TABLE 7 - PLANCHE 7 - DISEÑO 7 (1/2)

PT

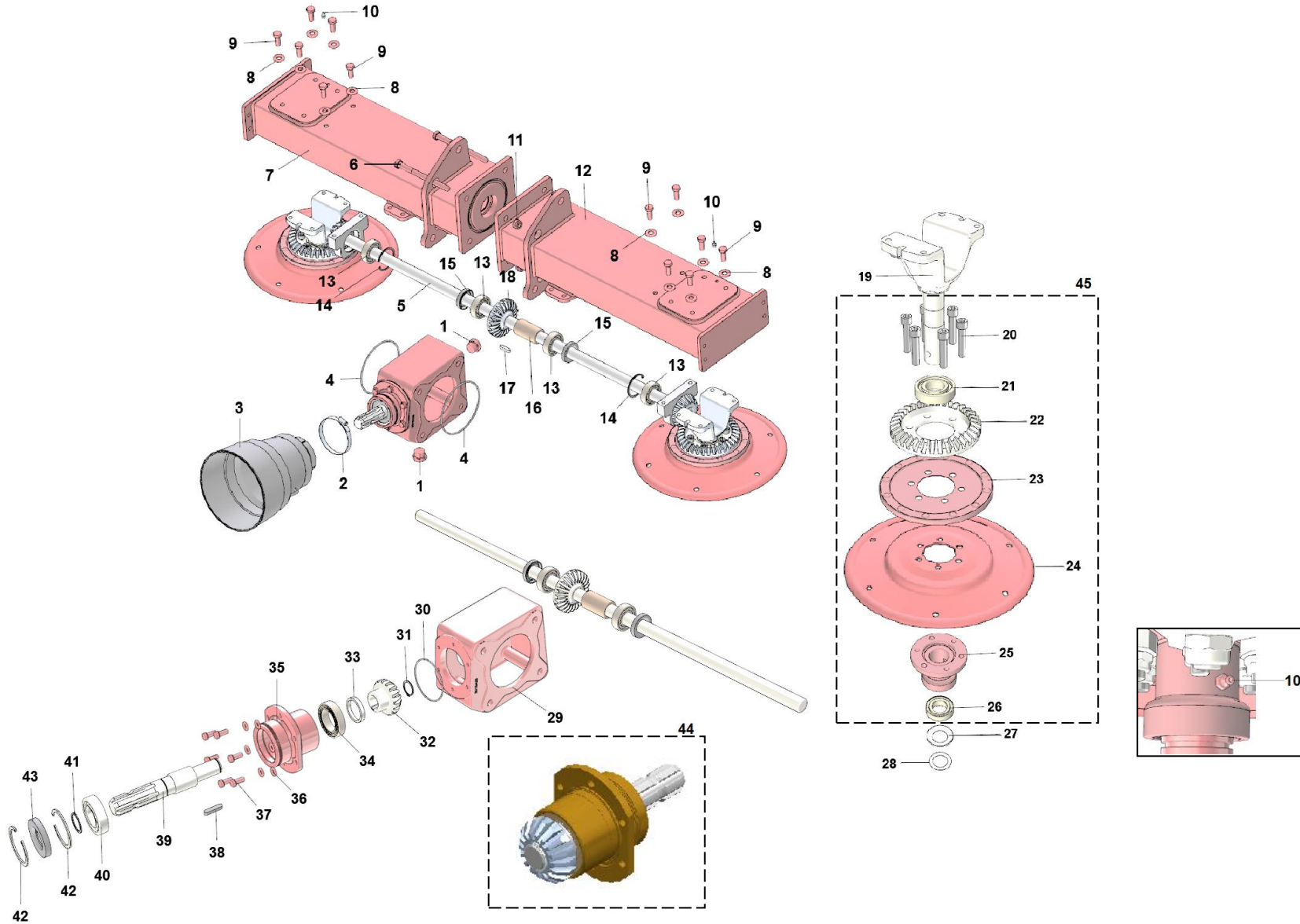


TABLE 7 - TABLE 7 - TABLA 7 (1/2)

Nr.	CODE - CODE - CÓDIGO	DESCRIPTION	DESCRIPTION	DESCRIPCION	
1	4010816	PLUG 3/4	BOUCHON 3/4	TAPON 3/4	
2	4010702	BAND	BANDA	ABRAZADERA	
3	9070101	COVER	CONTRE-BOL	VAINA SECUNDARIA	
4	10010702	O-RING – 2.255 142,5x3,53			
5	12010202	CENTRAL DRIVE AXLE Ø30x1224	AXE TRASMISION CENTRAL Ø30x1224	EJE TRANSMISION CENTRAL Ø30x1224	
6	3010813	HH SCREW M14X170 ZN	VIS TH M14X170 ZN	TORNILLO CH M14X170 ZN	
7	13071876	R ARM			
8	3030800	WASHER M12 S.E.	RONDELLE M12 S.E.	ARANDELA M12 S.E.	
9	3010228	HH SCREW M12X30	VIS TH M12X30	TORNILLO CH M12X30	
10	3090101	GREASE ZERK M8X1	GRAISSEUR M8X1	ENGRASADOR M8X1	
11	3020203	SELF LOCKING NUT M14	ECROU DE SECURITE M14	TUERCA AUTOBLOQUEO M14	
12	13071875	L ARM			
13	12240108	BEARING 6206 2RS	ROULEMENT 6206 2RS	COJINETE 6206 2RS	
14	3120108	SNAP RING I.62	BAGUE DE SECURITE I.62	ANILLO DE SEGURIDAD I.62	
15	12260002	OIL SEAL – ATG 1 55X30X10			
16	12070330	SPACER 42X8X74	ENTRETOISE 42X8X74	SEPARADOR 42X8X74	
17	3110002	TAB 8X7X35	CLAVETTE 8X7X35	LENGUETA 8X7X35	
18	8010304	CROWN FOR CENTRAL BOX	COURONNE GROUPE CENTRAL	CORONA GRUPO CENTRAL	
19	18034226	CENTRAL PIN WITH BRACKET	GOUPILLE CENTRAL AVEC SUPPORT	PIVOTE CENTRAL CON SOPORTE	
20	3010605	SCREW T.C.E.I. M12X55			
21	12240109	BEARING 6207	ROULEMENT 6207	COJINETE 6207	
22	18031169	BEVEL CROWN FOR ROTOR	COURONNE CONIQUE POR ROTOR	CORONA CONICA PARA ROTOR	
23	18033532	PROTECTION SCREEN	PLAQUE DE PROTECTION	BARRIERA DE PROTECTION	
24	18037441	ARM CONNECTION FLANGE	BRIDE RACCORD BRAS	BRIDA CONEXION BRAZO	
25	18031171	SAFETY LOOP	BOUCLE DE SECURITE'	BUCLE DE SEGURIDAD	
26	12240160	BEARING 32007A	ROULEMENT 32007A	COJNETEO 32007A	
27	10011315	NILOS RING 32007 AV	ANNEAU NILOS 32007 AV	ANILLO NILOS 32007 AV	
28	3120126	AXIAL WASHER PS 355205	CRAPADINE PS 355205	ARANDELA PS 355205	
29	18033776	HAY TEDDEER GEARBOX	GROUPE CENTRAL FANEUR	GRUPO CENTRAL VOLTEADORA	
30	10010741	O-RING - 8-2-154			

TABLE 7 - PLANCHE 7 - DISEÑO 7 (2/2)

PT

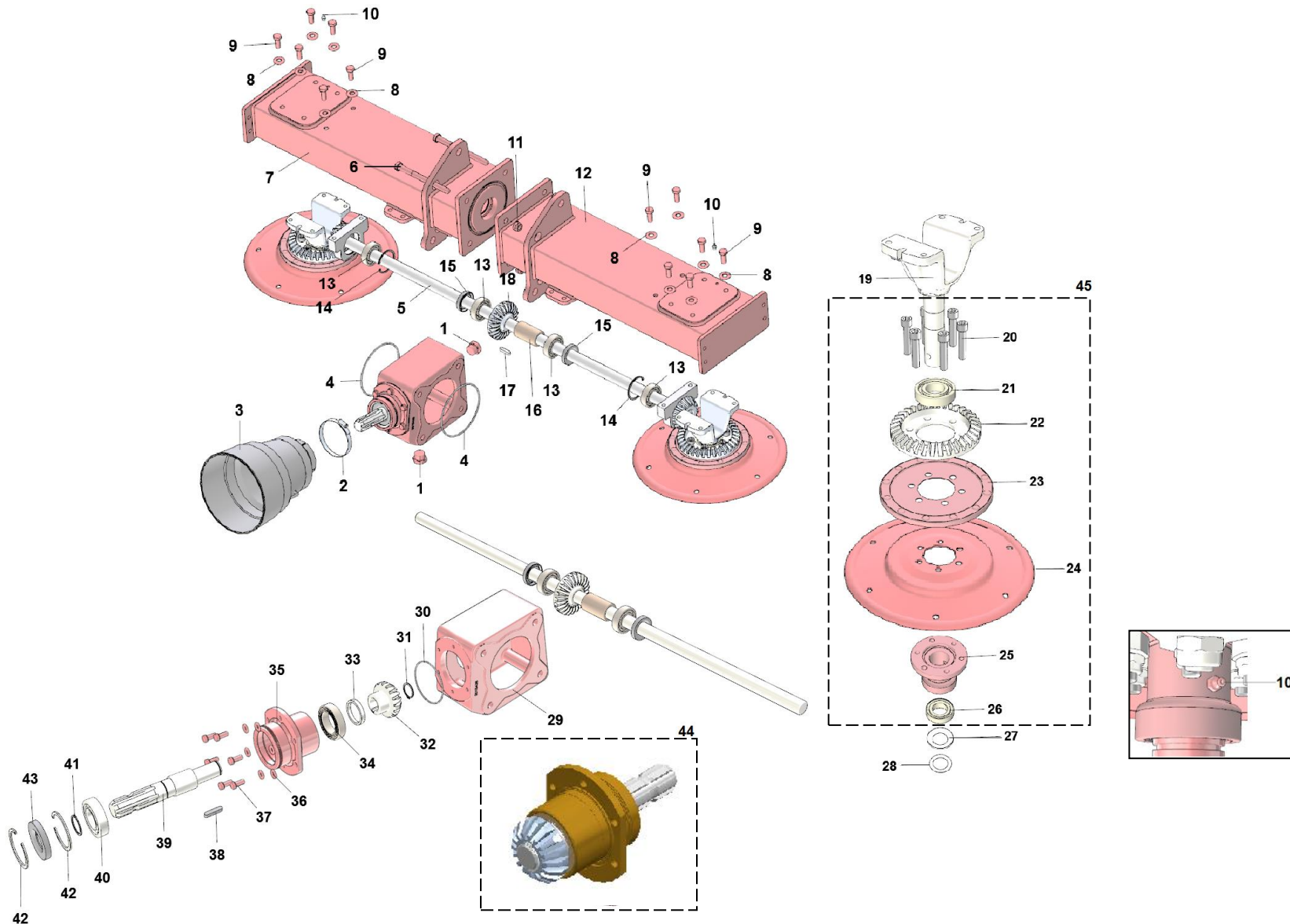


TABLE 8 - PLANCHE 8 - DISEÑO 8

PT

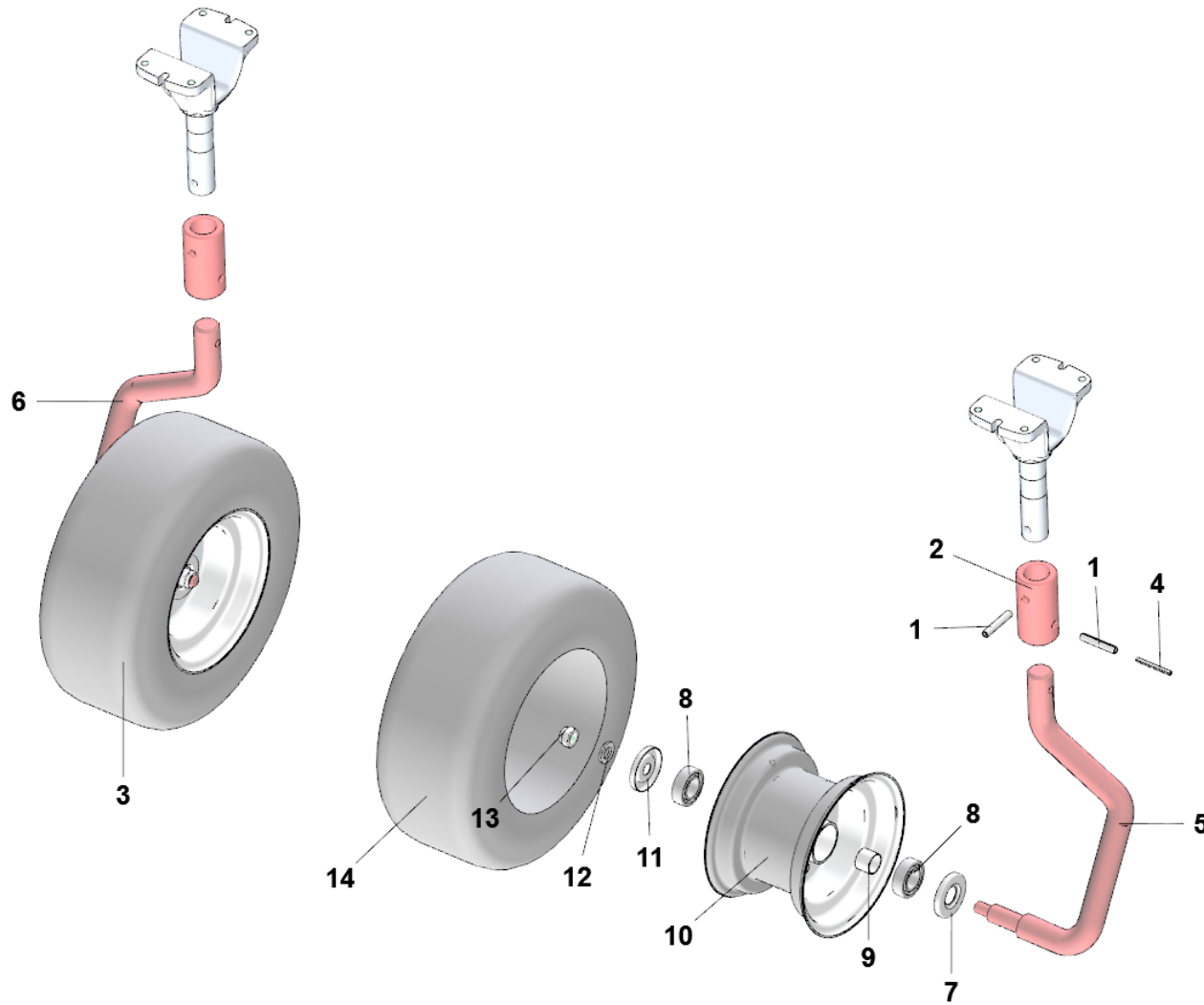


TABLE 9 - PLANCHE 9 - DISEÑO 9

PT

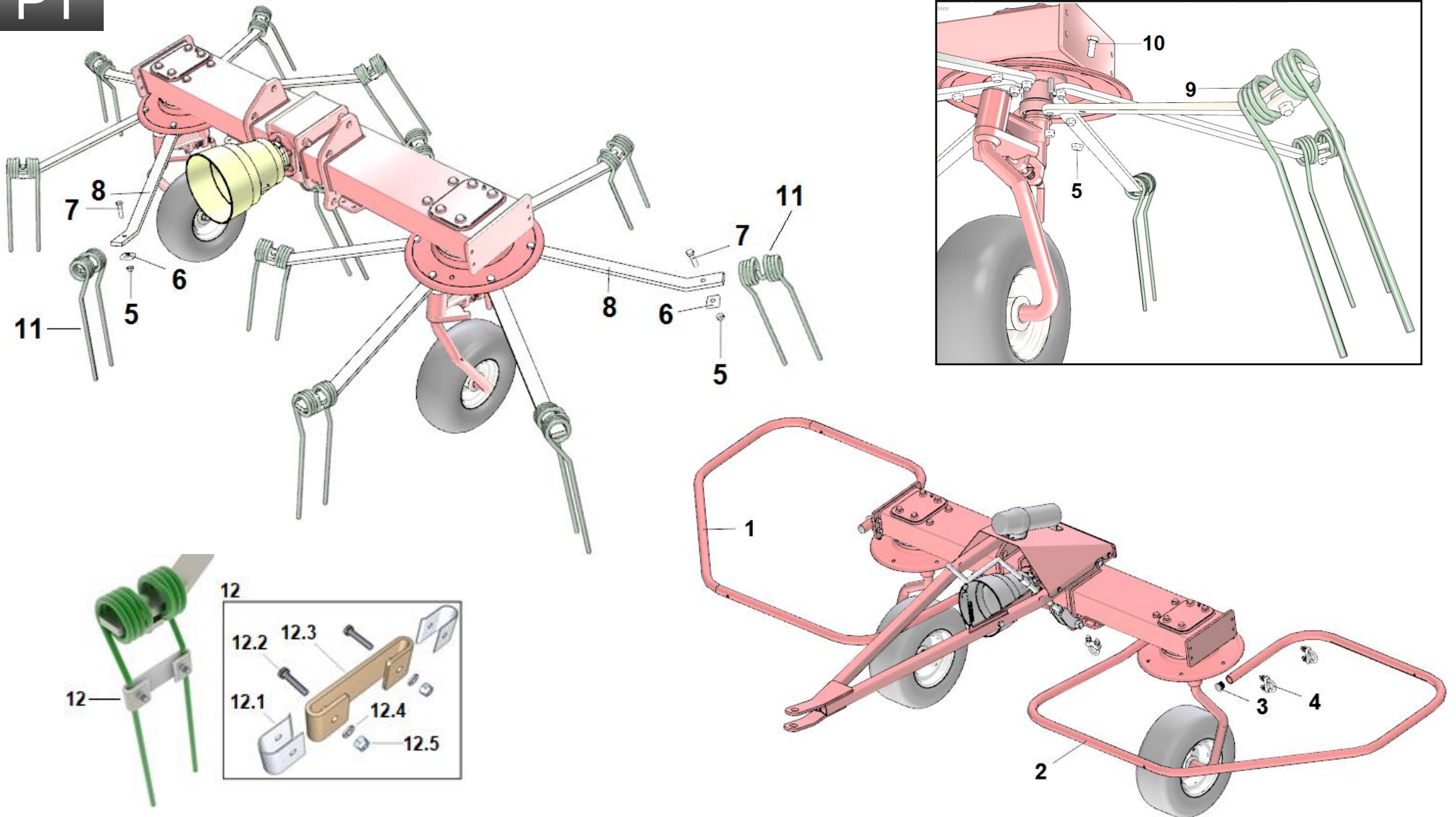


TABLE 10 - PLANCHE 10 - DISEÑO 10

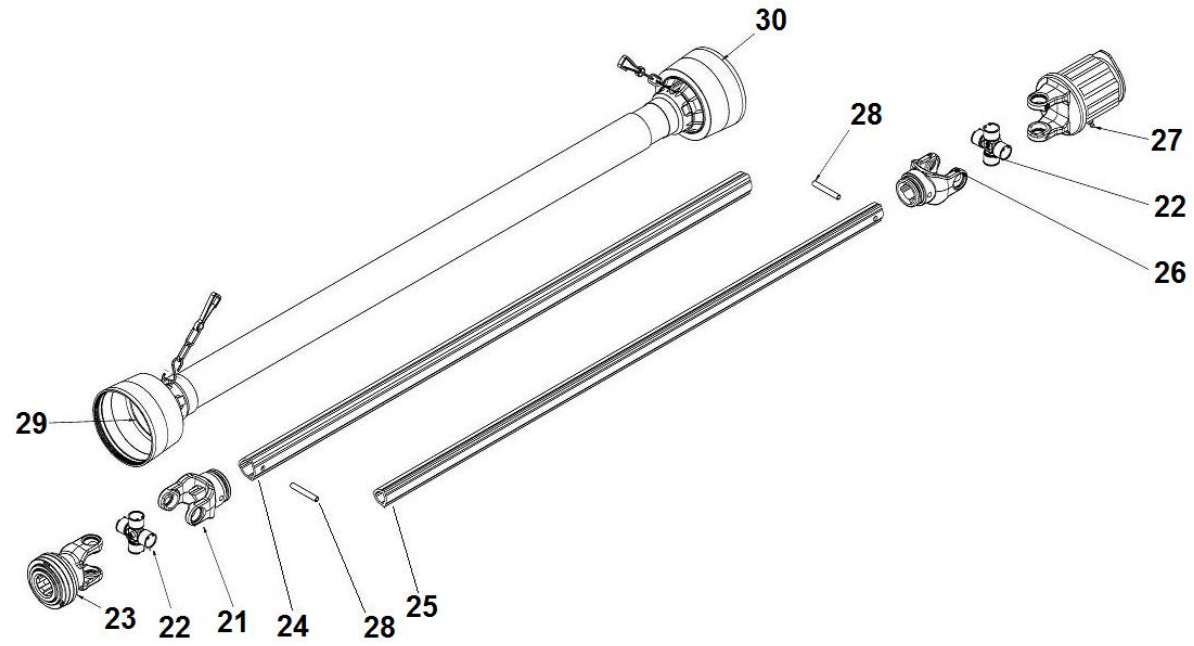
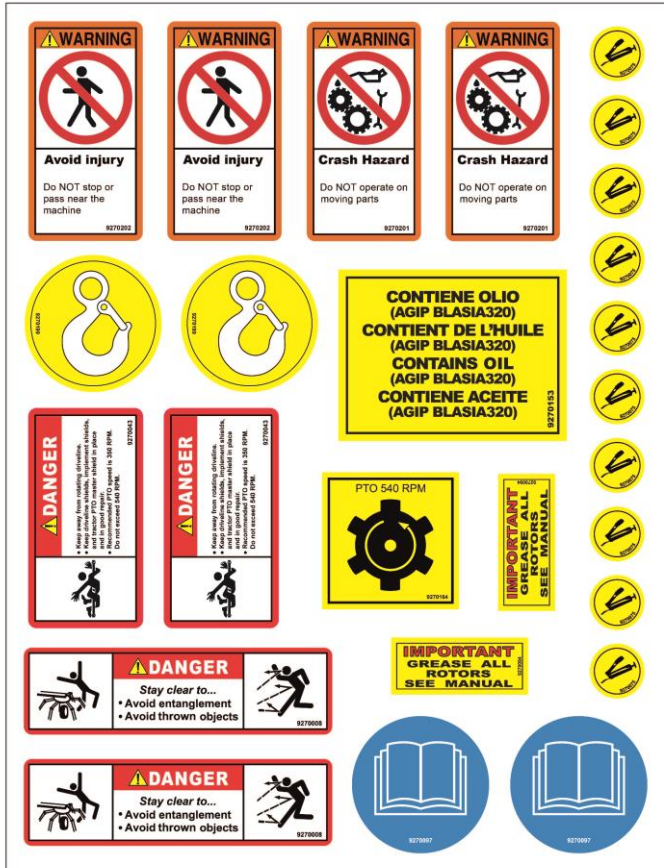


TABLE 11 - PLANCHE 11 - DISEÑO 11



9270076



9270076



When ordering spare parts please make photostats of this order form, fill out and mail or fax it directly to us at this address:

To ensure prompt assistance and replacement of parts always supply below required information, thank you.

Company name			
Invoice address			
Country			
Destination of goods If different from above			
Pos.	Code number	Description	Quantity

Issue	Change	Pages	Date
1	Writing		6/2020
1a	Tab.2: added item 46, 47, 48 and 49	6, 8 and 9	7/2020
1b	Tab.2: changed view and code of item 44 - Tab.3: changed view and codes - Tab.7: changed view and code of item 44 - Tab.9: changed view and codes	6, 8, 9, 14, 15, 18, 20, 21, 24 e 25	10/2021
1c	Tav.6: added item 24	16 and 17	7/2022
1d	Tav.8: changed code of item 5 and 6	23	3/2023
1e	Tav.8: changed code of item 5 and 6	23	6/2023

