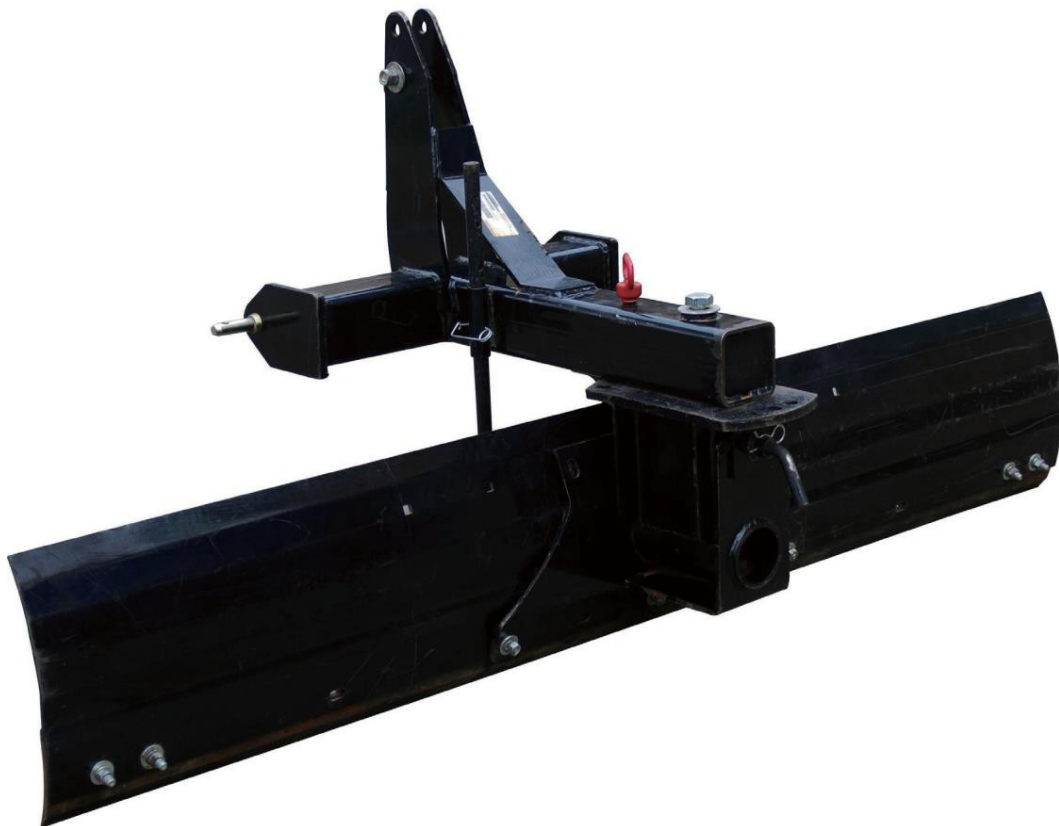




MEDIUM DUTY REAR BLADE

Operation and Parts Manual



BRB 500 Series

Due to continuing improvements, actual product may differ slightly from product described herein

Rev. 08/21

Caution !

The following safety precautions should be thoroughly understood before attempting to begin assembling this machine.

1. Select an area for assembly that clean and free of any debris which might cause persons working on the assembly to trip.
2. Do not lift heavy parts or assemblies. Use crane jack, fork trucks or other mechanical device.
3. Never put hands, or any part of body, under blocked up assemblies if at all possible.
4. After completing assembly, thoroughly inspect the machine to be sure that all nuts, bolts, hydraulic fittings or any other fastened assemblies have been thoroughly tightened.
5. Before operating equipment, if you have any question regarding the proper assembly or operations, contact your dealer or the manufacturer.

Assembly!

1. Unpack the grade blade from shipping crate and check if there are any parts missing.
2. Assemble blade (5) to the moldboard (6).
3. Assemble swivel assembly (11) to the moldboard (6).
4. Install the main tow frame (24) to the swivel assembly (11).
5. Then assemble the support stand (1) to the main tow frame (24).

Important safety information!

Working with unfamiliar equipment can lead to careless injuries, read the manual and the manual for your tractor. Before assembly or operating, to acquaint yourself with the machine. It is the grade blade owner's responsibility, if this machine is used by any other person other than yourself, is loaned or rented, to make certain the operator is instructed in safe and proper use.

Most accidents occur because of neglect or carelessness. Keep all helpers and bystanders twenty five (25') from an operating grader blade. Only proper trained people should operate this machine.

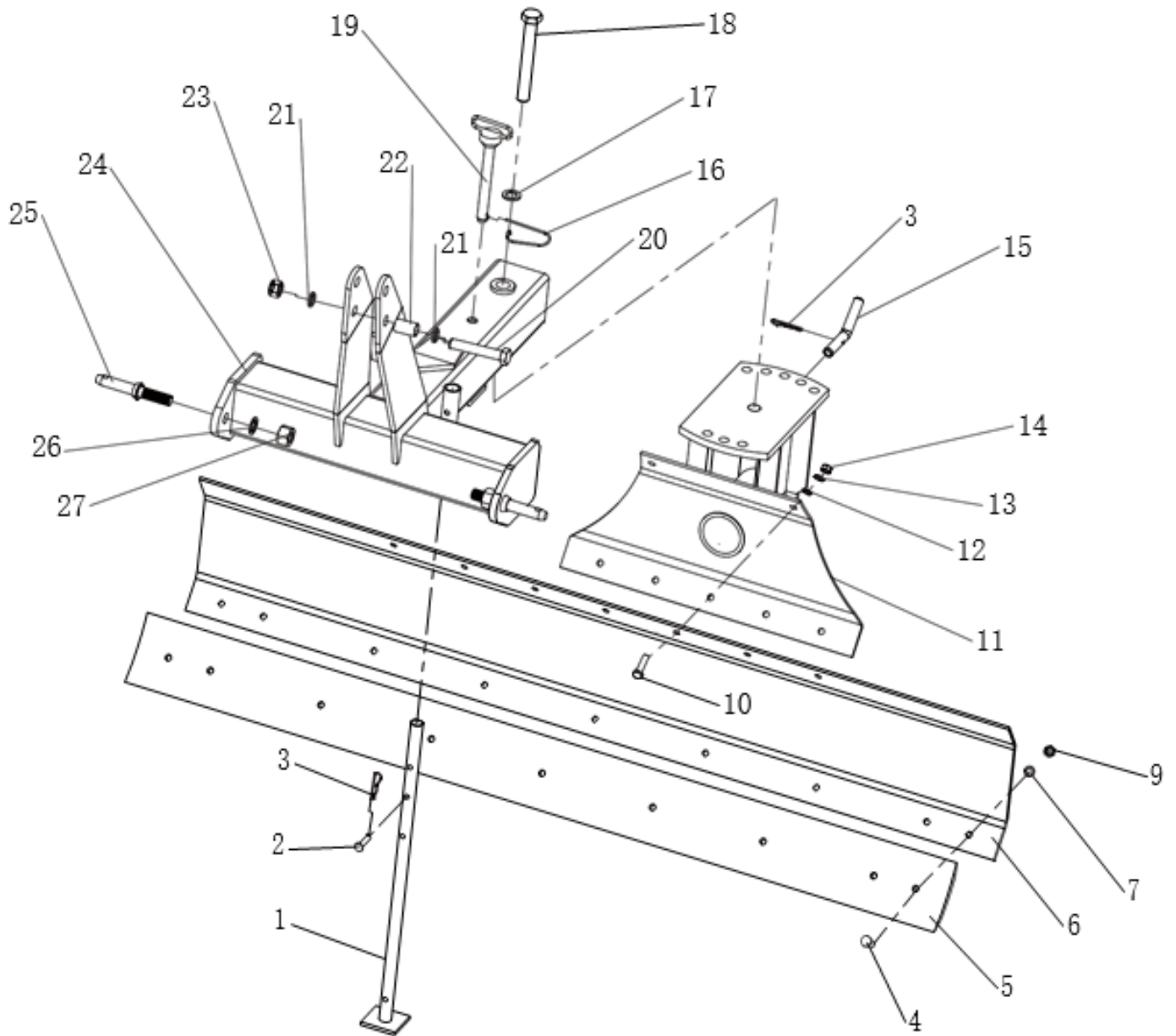
Personal protection equipment including safety glasses, safety shoes, and gloves are recommended during assembly, installation, operation, adjustment, maintaining, repairing, removal, or moving the grade blade.

Never place any part of your body where it would be in danger if movement should occur during assembly, installation, operation, adjustment, maintaining, repairing, removal, or moving the grade blade.

Before you operate the grade blade, check over all pins, bolts and connections to be sure all are securely in place. Replace any damaged or worn parts immediately.

Do not allow anyone who is not familiar with the safety rules and operation instructions to use this grade blade.

MEDIUM DUTY REAR BLADE PARTS DIAGRAM



Medium Duty Rear Blade Part List

Reference No.	Part No.	Description	Quantity
1	GB190001	Support Bar	1
2	GB190002	Lock Pin	1
3	RC4	R-Clip- M4	2
4	FCBM162040	Flat Carriage Bolt- M16 x 2.0 x 40	6': 8
			7': 9
			8': 11
5	RB10028-72 (6 foot)	Blade	1
	RB10028-84 (7 foot)		
	RB10028-96 (8 foot)		
6	GB190506	Moldboard	1
	GB190606		
	GB190706		
7	FW16	Flat Washer- M16	6': 8
			7': 9
			8': 11
8			
9	LNM1620	Self-Locking Nut M16x20	6': 8
			7': 9
			8': 11
10	BM1217540	Bolt- M12×1.75 x 40	2
11	GB190011	Swivel Assembly	1
12	FW12	Flat Washer- M12	2
13	LW12	Lock Washer- M12	2
14	NM12175	Nut M12	2
15	GB190015	Lock Pin	1
16	GB190016	Pin	1
17	FW24	Flat Washer- M24	1
18	BM2430190	Bolt- M24×190	1
19	GB190019	King Pin	1
20	BM2025115	Bolt M20×115	1
21	FW20	Flat Washer-M20	2
22	GB190022	Spacer	1
23	NM2025	Nut M2025	1
24	GB190024	Main Tow Frame	1
	GB190824		
25	GB190025	Hitch Pin	2
26	LW22	Lock Washer- M22	2
27	NM2215	Nut- M22 x 1.5	2



BELC 
RESOURCES
EQUIPMENT

Increasing agricultural productivity since 1974

401 Jeffreys Road
Rocky Mount, NC 27804
[Www.BR-Equipment.com](http://www.BR-Equipment.com)

Tel: 252-442-0700
Fax: 252-787-5855
Sales@BRGlimited.com