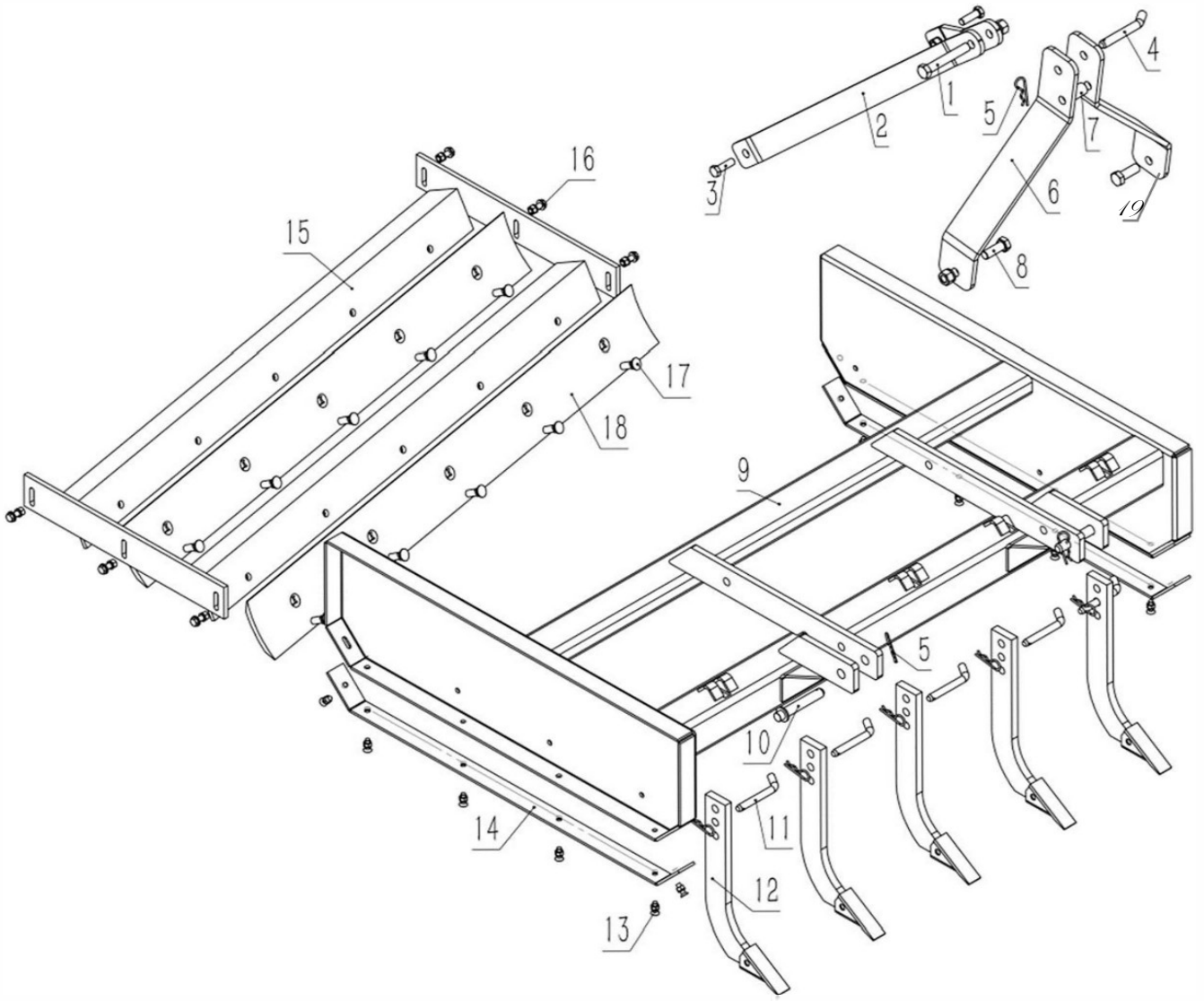


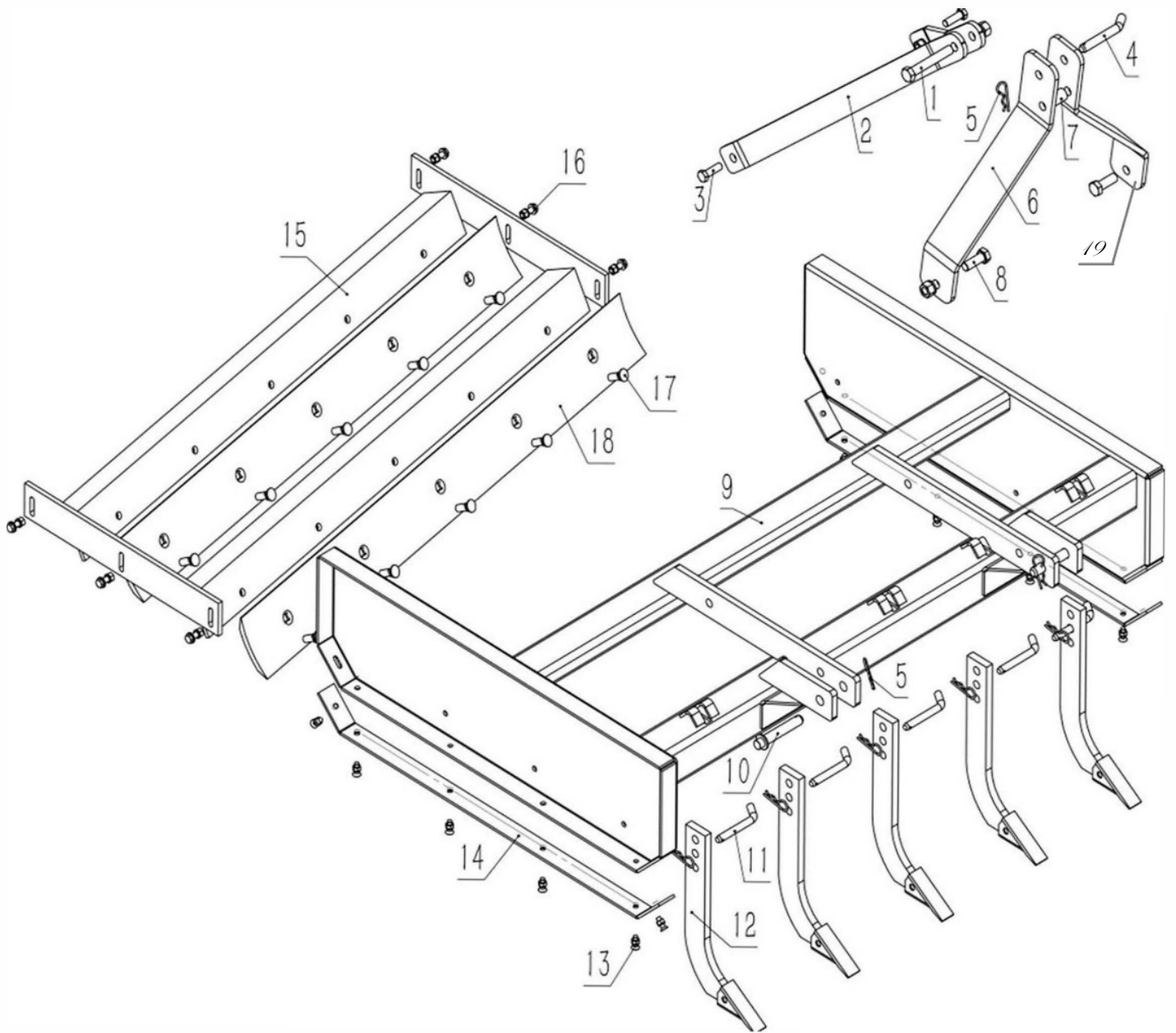


LAND LEVELER
LB4, LB5, LB6, LB7





Position	Item No.	Description	QTY
1	BM2025120	Bolt- M20 x 2.5 x 120	1
	NM2025	Nut- M20 x 2.5	1
	LW20	Lock Washer- M20	1
2	LB0002	A Frame Straps	2
3	BM162050	Bolt- M16 x 2.0 x 50	2
	NM1620	Nut- M16 x 2.0	2
	LW16	Lock Washer- M16	2
4	YT1066010202	Top Hitch Pin Φ 19 (straight) cat 1	1
5	RC4	R-clip M4	8
6	LB0005	Top Link RH	1
7	LB0007	Top Hitch Spacer	1
8	BM202555	Bolt- M20 x 2.5 x 55	2
	NM2025	Nut- M20 x 2.5	2
	LW20	Lock Washer- M20	2
9	LB009-48	Frame LB4	1
	LB009-60	Frame LB5	1
	LB009-72	Frame LB6	1
	LB009-84	Frame LB7	1
10	LB0010	Lower Hitch Pin- M22	2
11	LB0011	Plough Pin- M16	5
12			-
	LBX601	Scarifier Shank - 3/4" x 2 1/2" 16" - 3hole (Prior to 11-23-21)	4-7
13	SSM101530	Bolt- M10 x 1.5 x 30	12
	NM1015	Nut- M10 x 1.5	12
	LW10	Lock Washer- M10	12
14	LB0014	Skid Weldment	2
15	LB0015-48	Scraper Mount Weldment LB4	1
	LB0015-60	Scraper Mount Weldment LB5	1
	LB0015-72	Scraper Mount Weldment LB6	1
	LB0015-84	Scraper Mount Weldment LB7	1
16	BM1217535	Bolt- M12 x 1.75 x 35	6
	NM12175	Nut- M12 x 1.75	6
	LW12	Lock Washer- M12	6
17	FCBM162040	Flat Head Carriage Bolt- M16 x 2.0 x 40	4 - 7
	NM1620	Nut- M16 x2.0	4 - 7



18	RB10028-48	Scraper LB4	2
	RB10028-60	Scraper LB5	2
	RB10028-72	Scraper LB6	2
	RB10028-84	Scraper LB7	2
19	LB0006	Top link LH	1

LIMITED WARRANTY

Belco Resources Equipment Division, LLC warrants to the original purchaser of any new Belco Resources, Inc equipment, purchased from an authorized Belco Resources, Inc dealer, that the equipment be free from defects in material and workmanship for a period of one (1) year for non-commercial, state, and municipalities' use, ninety (90) days for commercial use from date of retail sale. Warranty for rental purposes is thirty (30) days. The obligation of Belco Resources Equipment Division, LLC to the purchaser under this warranty is limited to the repair or replacement of defective parts.

Replacement or repair parts installed in the equipment covered by this limited warranty are warranted for ninety (90) days from the date of purchase of such part or to the expiration of the applicable new equipment warranty period, whichever occurs later. Warranted parts shall be provided at no cost to the user at an authorized Belco Resources Equipment Division, LLC dealer during regular working hours. Belco Resources Equipment Division, LLC reserves the right to inspect any equipment or parts, which are claimed to have been defective in material or workmanship.

This limited warranty does not apply to and excludes wear items such as shear pins/bolts, tires, tubes knives, blades, or other wear items. Oil or grease is not covered by this warranty.

All obligations of Belco Resources Equipment Division, LLC under this limited warranty shall be terminated if:

Proper service is not performed on the machine.

The machine is modified or altered in any way.

The machine is being used or has been used for purposes other than those for which the machine was intended.

DISCLAIMER OF IMPLIED WARRANTIES & CONSEQUENTIAL DAMAGES

Belco Resources Equipment Division, LLC obligation under this limited warranty, to the extent allowed by law, is in lieu of all warranties, implied or expressed, including implied warranties of merchantability and fitness for a particular purpose and any liability for incidental and consequential damages with respect to the sale or use of the items warranted. Such incidental and consequential damages shall include but not be limited to: transportation charges other than normal freight charges; cost of installation other than cost approved by Belco Resources Equipment Division, LLC; duty; taxes; charges for normal service or adjustment; loss of crops or any other loss of income; rental of substitute equipment, expenses due to loss, damage, detention or delay in the delivery.



BELCO 
RESOURCES
EQUIPMENT

Increasing agricultural productivity since 1974

401 Jeffreys Road
Rocky Mount, NC 27804
www.BR-Equipment.com

Tel: 252-442-0700
Fax: 252-787-5855
Sales@BRGlimited.com