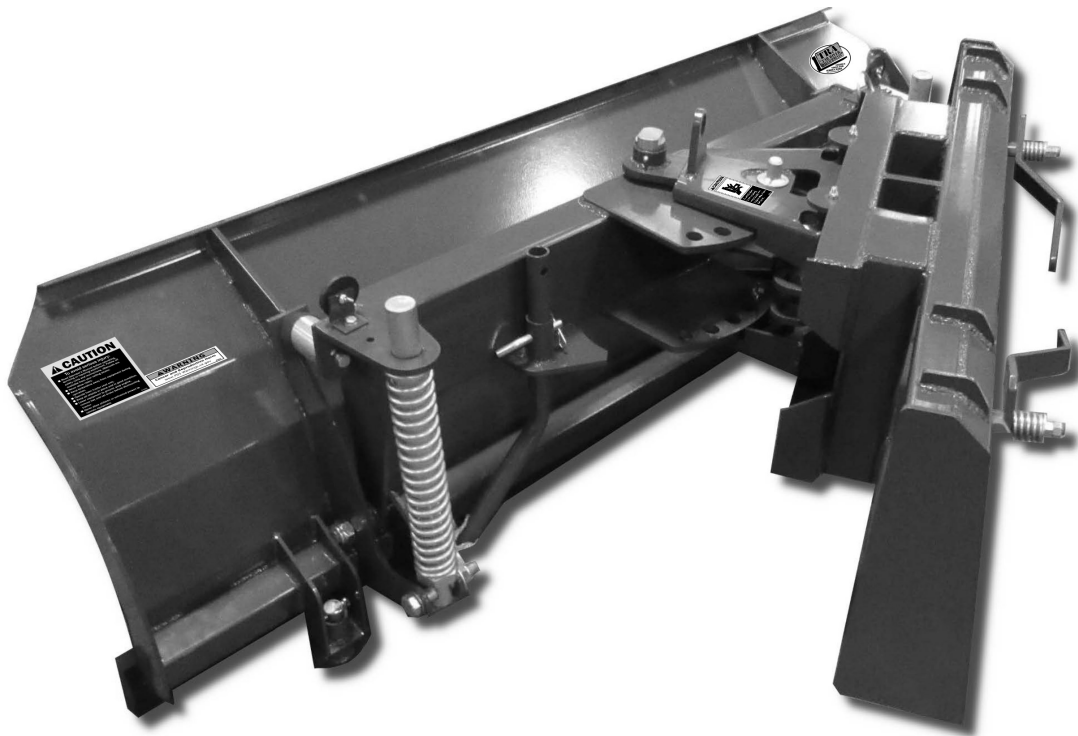




CSP Series Compact Snow Blades



Operator's Manual

Page left blank intentionally

TO THE DEALER:

Assembly and proper installation of this product is the responsibility of the Tar River dealer. Read manual instructions and safety rules. Make sure all items on the Dealer's Pre-Delivery and Delivery Check Lists in the Owner's/Operator's Manual are completed before releasing equipment to the owner.

TO THE OWNER:

Read this manual before operating your Tar River equipment. The information presented will prepare you to do a better and safer job. Keep this manual handy for ready reference. Require all operators to read this manual carefully and become acquainted with all the adjustment and operating procedures before attempting to operate. Replacement manuals can be obtained from your selling dealer. The equipment you have purchased has been carefully engineered and manufactured to provide dependable and satisfactory use. Like all mechanical products, it will require cleaning and upkeep. Lubricate the unit as specified. Observe all safety information in this manual and safety decals on the equipment. For service, your authorized Tar River dealer has trained mechanics, genuine Tar River service parts, and the necessary tools and equipment to handle all your needs. Use only genuine Tar River service parts. Substitute parts will void the warranty and may not meet standards required for safe and satisfactory operation.

Record your implement model and serial number in the space provide below. Your dealer will need this information to give you prompt, efficient service.

Model Number: _____

Serial Number: _____

Date Purchased: _____

Table of Contents

Introduction	5
Technical Specifications	5
Safety	6
Safety Signal Words	6
General Safety Guidelines	7
Safety Decal Care	7
Before Operation	8
During Operation	9
Highway And Transport Operations	10-11
Installing and Removing.....	12-13
Operation.....	14-16
Maintenance/Service.....	17
Torque Specifications	18
Parts Breakdown	19-25
Decals.....	26
Warranty	27

Introduction

Thank you for purchasing your CSP Compact Snow Blade. The CSP Compact Snow Blade can use a rubber edge as well as a metal edge. The CSP comes standard with a Universal Skid Steer Mount.

Technical Specifications

- Standard Universal Skid Steer Mount
- Reversible & replaceable rubber edge
- Hydraulic angle, left or right
- Spring loaded & automatic trip
- Available sizes: 60", 72", 84" & 96"

	CSP60NE	CSP72NE	CSP84NE	CSP96NE
Weight	517 lbs.	537 lbs.	556 lbs.	587 lbs.

Important Safety Information

Safety

It is important that you read the entire manual and to become familiar with this product before you begin using it. This product is designed for certain applications only. The manufacturer cannot be responsible for issues arising from modification. We strongly recommend this product not be modified and /or used for any application other than that for which it is designed. If you have any questions relative to a particular application, DO NOT use the product until you have first contacted us to determine if it can or should be performed on the product.

Read and understand this manual and all safety signs before operating and maintaining . Review the safety instructions and precautions annually.

Safety Signal Words

TAKE NOTE! This safety alert symbol found though out this manual is used to call you attention to instructions involving you personal safety and the safety of others. Failure to follow these instructions can result in injury or death.



**This symbol means:
Attention!
Become alert!
Your safety is involved!**

Note the use of the signal words, DANGER, WARNING and CAUTION with the safety messages. The appropriate signal word for each has been selected using the following guidelines:



DANGER: Indicates an imminently hazardous situation that, if not avoided, will result in death or serious injury. This signal word is to be limited to the most extreme situations typically for machine components which, for functional purposes, cannot be guarded.



WARNING: Indicates a potentially hazardous situation that, if not avoided, could result in death or serious injury, and includes hazards that are exposed when guards are removed. It may also be used to alert against unsafe practices.



CAUTION: Indicates a potentially hazardous situation that, if not avoided, may result in minor or moderate injury. It may also be used to alert against unsafe practices.

Important Safety Information

General Safety Guidelines

Safety of the operator is one of the main concerns in designing and developing a new piece of equipment. Designers and manufacturers build in as many safety features as possible. However, every year many accidents occur which could have been avoided by a few seconds of thought and a more careful approach to handling equipment. You, the operator, can avoid many accidents by observing the following precautions in this section. To avoid personal injury, study the following precautions and insist those working with you, or for you, follow them.

Replace any DANGER, WARNING, CAUTION or instruction safety decal that is not readable or is missing. Location of such decals are indicated in this manual. Do not attempt to operate this equipment under the influence of drugs or alcohol.

Review the safety instructions with all users annually.

This equipment is dangerous to children and persons unfamiliar with its operation. The operator should be a responsible adult familiar with farm machinery and trained in this equipment's operations. **Do not allow persons to operate or assemble this unit until they have read this manual and have developed a thorough understanding of the safety precautions and of how it works.**

To prevent injury of death, use a tractor equipped with a Roll Over Protection System (ROPS). Do not paint over, remove or deface any signs or warning decals on your equipment. Observe all safety signs and practice the instructions on them.

Never exceed the limits of a piece of machinery. If its ability to do a job, or to do so safely, is in question, **Don't try it!**



Safety Decal Care

- Keep safety signs clean and legible at all times.
- Replace safety signs that are missing or have become illegible.
- Replaced parts that displayed a safety sign should also display the current safety sign
- Safety signs are available from your Distributor or Dealer Parts Department or the factory.

Important Safety Information

How to install Safety Signs:

- Be sure that the installation area is clean and dry.
- Decide on the exact position before you remove the backing paper.
- Remove the smallest portion of the split backing paper.
- Align the decal over the specified area and carefully press the small portion with the exposed sticky backing in place.
- Slowly peel back the remaining paper and carefully smooth the remaining portion of the decal in place.
- Small air pockets can be pierced with a pin and smoothed out using the piece of decal backing paper.



Before Operation

- Carefully study and understand this manual.
- Do not wear loose-fitting clothing, which may catch in moving parts.
- Always wear protective clothing and substantial shoes.
- Assure that all tires are inflated evenly.
- Give the unit a visual inspection for any loose bolts, worn parts or cracked welds, and make necessary repairs. Follow the maintenance safety instructions included with this manual.
- Be sure that there are no tools lying on or in the equipment.
- Do not use the unit until you are sure that the area is clear, especially of children and animals.
- Don't hurry the learning process or take the unit for granted. Ease into it and become familiar with your new equipment.
- Practice operation of your equipment and its attachments. Completely familiarize yourself and other operators with its operation before using.
- Use a tractor equipped with a Roll Over Protection System (ROPS) and fasten your seat belt prior to starting engine.
- The manufacturer does not recommend usage of tractor with ROPS removed.
- Move tractor wheels to the widest recommended settings to increase stability.
- Securely attach to towing unit. Use a high strength, appropriately sized hitch pin with a mechanical retainer and attach safety chain.
- Do not allow anyone to stand between the tongue or hitch and the towing vehicle when backing up to the equipment.
- Do not use the unit until you are sure that the area is clear, especially of children and animals.

Important Safety Information



During Operation

- Children should not be allowed on the product.
- Clear the area of small children and bystanders before moving the feeder.
- If using a towing unit, securely attach feeder by using a hardened 3/4" pin, a metal retainer, and safety chains if required. Shift towing unit to a lower gear before going down steep downgrades, thus using the engine as a retarding force. Keep towing vehicle in gear at all times. Slow down for corners and rough terrain.
- Make sure you are in compliance with all local and state regulations regarding transporting equipment on public roads and highways. Lights and slow moving signs must be clean and visible by overtaking or oncoming traffic when feeder is transported.
- Beware of bystanders, **particularly children!** Always look around to make sure that it is safe to start the engine of the towing vehicle or move the unit. This is particularly important with higher noise levels and quiet cabs, as you may not hear people shouting.
- **NO PASSENGERS ALLOWED!** Do not carry passengers anywhere on, or in, the tractor or equipment, except as required for operation.
- Keep hands and clothing clear of moving parts.
- Do not clean, lubricate or adjust your equipment while it is moving.
- When halting operation, even periodically, set the tractor or towing vehicle brakes, disengage the PTO, shut off the engine and **remove the ignition key.**
- Be especially observant of the operating area and terrain. Watch for holes, rocks or hidden hazards. Always inspect the area prior to operation.
- **DO NOT** operate near the edge of drop-offs or banks.
- **DO NOT** operate on steep slopes as overturns may result.
- Operate up and down (not across) intermediate slopes. Avoid sudden starts and stops.

Important Safety Information



Highway and Transport Operations

- Adopt safe driving practices.
- Keep the brake pedals latched together at all times. **Never use independent braking with machine in tow as loss of control and/or upset of unit can result.**
- Always drive at a safe speed relative to local conditions and ensure that your speed is low enough for an emergency stop to be safe and secure. Keep speed at a minimum.
- Reduce speed prior to turns to avoid the risk of overturning.
- Avoid sudden uphill turns on steep slopes.
- Always keep the tractor or towing vehicle in gear to provide engine braking when going downhill. Do not coast.
- Do not drink and drive!
- Comply with state and local laws governing highway safety and movement of farm machinery on public roads.
- Use approved accessory lighting flags and necessary warning devices to protect operators of other vehicles on the highway during daylight and nighttime transport. Various safety lights and devices are available from your dealer.
- The use of flashing amber lights is acceptable in most localities. However, some localities prohibit their use. Local laws should be checked for all highway and marking requirements.
- When driving the tractor and equipment on the road or highway under 40 kph (20 mph) at night or during the day, use the amber warning lights and a slow moving vehicle (SMV) identification emblem.
- Plan your route to avoid heavy traffic.
- Be a safe and courteous driver. Always yield to oncoming traffic in all situations, including narrow bridges, intersections, etc.
- Be observant of bridge loading ratings. Do not cross bridges rated at lower than the gross weight at which you are operating.
- Watch for obstructions overhead and to the side while transporting.
- Always operate in a position to provide maximum visibility at all times. Make allowances for increased length and weight of the equipment when making turns, stopping the unit, etc.
- Pick the most level route when transporting across fields. Avoid the edges of ditches or gullies and steep hillsides.
- Be extra careful when working in inclines.

Important Safety Information



Highway and Transport Operations

- Maneuver the tractor or towing vehicle at safe speeds.
- Avoid overhead wires or other obstacles. Contact with overhead lines could cause serious injury or death.
- Avoid loose fill, rocks and holes, they can be dangerous for equipment operation or movement.
- Allow for unit length when making turns,
- Operate the towing vehicle from the operator's seat only.
- Never stand alongside of unit with engine running or attempt to start engine and/or operate machine while standing alongside of unit.
- Never leave running equipment attachments unattended.
- As a precaution, always recheck the hardware on equipment following every 100 hours of operation.
Correct all problems. Follow the maintenance safety procedures.

Installing and Removing



Warning: Do not allow anyone to stand between the Quick Hitch and Snow Plow. Serious injury or death can occur.

Installing Skid Steer Snow Blade

To install:

- Carefully read the tractor/skid steer or front loader manufacturer's instructions for installing attachments.
- Place the Snow Plow on a level surface before attempting to attach to the Quick Hitch.
- The "Latch Pins" of the Quick Hitch should be in the "Unlock" position.
- Line up tractor/skid steer Quick Hitch with the snow plow, lower and tilt the Quick Hitch forward. Slowly drive up to the Snow Plow and make contact, tilting the Quick Hitch back.
- Raise the Snow Plow off the ground, tilting back and making sure the Quick Hitch is seated properly in the Snow Blade.
- Turn off the skid loader/tractor, remove key and set brake. Place the Quick Hitch latch pins in the locked position. Make sure the latch pins are fully engaged.
- Connect hydraulics if included. Watch for leaks. Caution: Hydraulic fluid under pressure is dangerous. Take all necessary precautions in handling the hydraulic components.

To remove:

- Lower the Snow Plow, stop the engine of skid steer/tractor, release pressure of hydraulics (if supplied).
- Disconnect hydraulics from Snow Plow, clean and cap ends of hydraulic hoses to prevent contamination.
- Unlock the latch pins of the Quick Hitch.
- Lower the Quick Hitch, tilt forward and back away from the Snow Plow.
- Store the Snow Plow under a shelter or cover.
- Thoroughly clean the Snow Plow especially if used for snow removal in areas using salt. Salt is extremely corrosive and will cause extensive damage to metal parts.

Installing Optional Hydraulic Kit



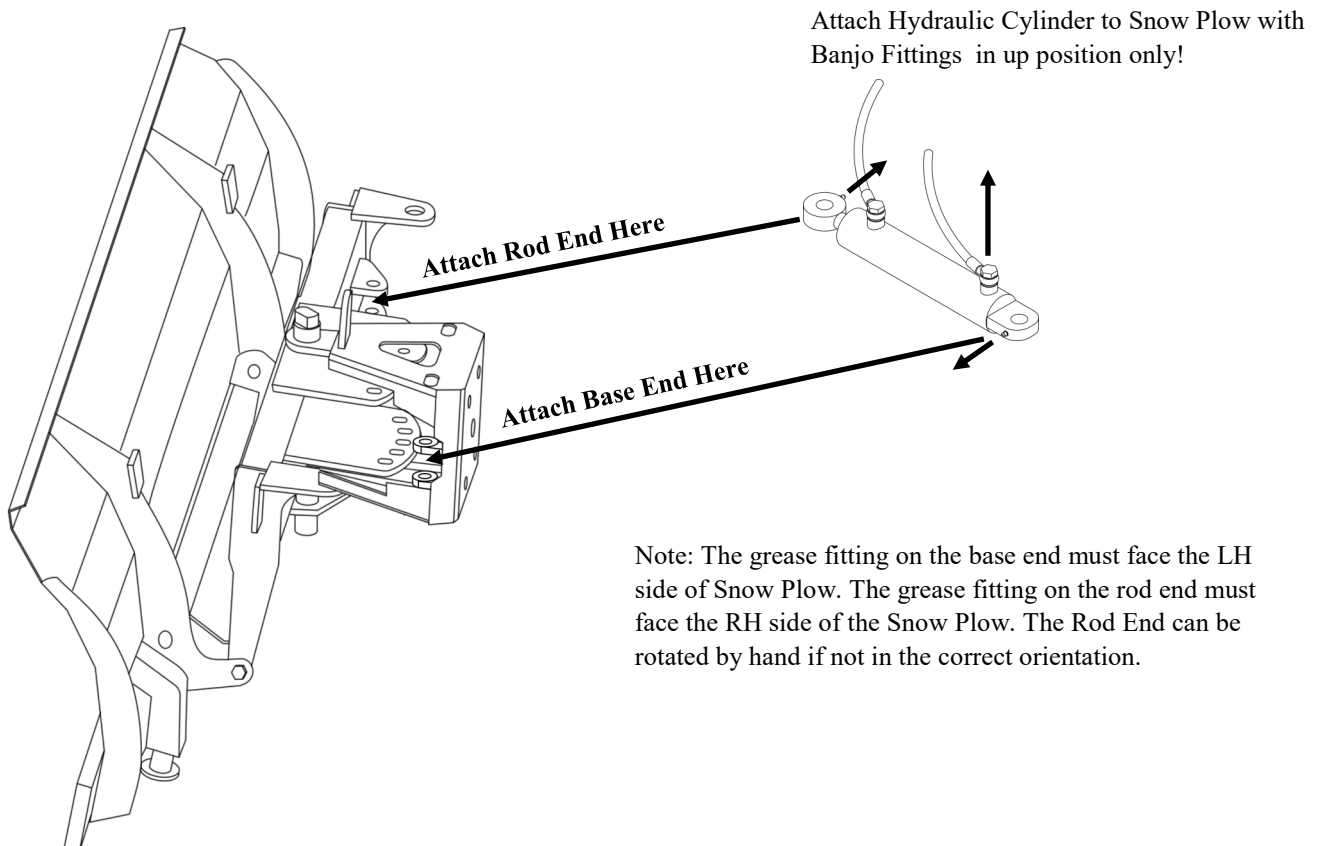
Warning:



- Avoid serious injury from injection of pressurized hydraulic fluid.
- Always relieve pressure before performing service or maintenance on any hydraulic components.
- Refer to tractor and implement Operator's Manuals.
- Do not use hands to search for leaks. Use cardboard or similar material.

Installing Optional Hydraulic Kit (See pages 25-26 for kit details.):

- Attach the hydraulic hoses to the hydraulic cylinder using the banjo bolts and 16mm compression washers included in kit.
- Attach the Base end of the hydraulic cylinder to the tractor mount of the Snow Blade with 25mm x 85 mm pin, cotter pins and 24mm flat washers included in kit. ***The Banjo Fittings must face up. Improper installation of the cylinder will result in damage to cylinder, banjo fittings, and hoses!***
- Attach the Rod end of the hydraulic cylinder to the Snow Blade Moldboard with 25mm x 85 mm pin, cotter pins and 24mm flat washers included in kit.
- Route hoses in a way that they are not kinked, crushed, pinched or stretched.
- Connect hydraulic hoses to tractor hydraulics.
- Slowly operate the tractor hydraulics to check for interference and/or leaks.



Operation

Operating the Snow Plow:

The tractor should be properly counter-balanced with weights or a heavy implement attached. A weight box can also be used attached to the tractor 3-point hitch.

Make sure all operator's read the Operator's Manual and are familiar with all safety rules and regulations.

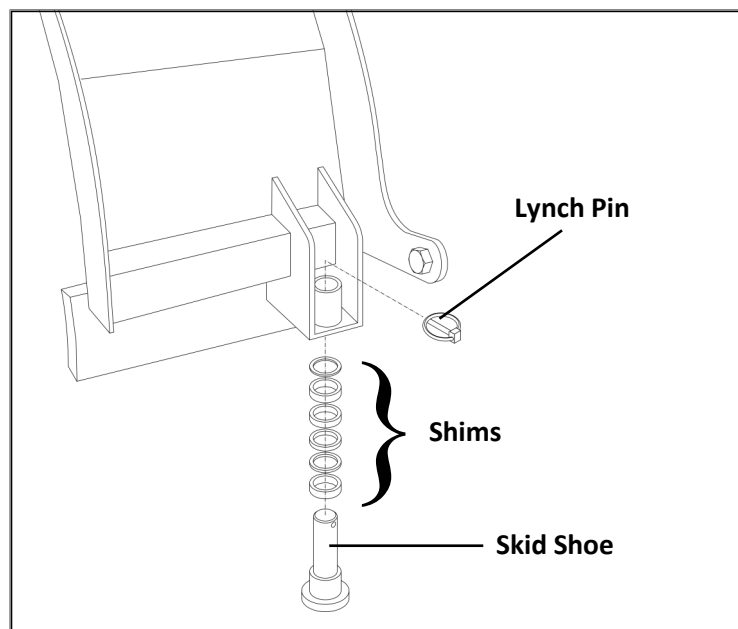


- **Warning: Do not operate the Snow Plow until you are certain there is a positive connection to the Quick Hitch. Check all hardware and tighten to proper Torque Specifications, see Page 17. Failure to lock the Quick Hitch Latch Pins or properly attach Snow Plow to Quick Hitch can cause serious injury or death.**
 - **Do not exceed 10 miles per hour.**
 - **Use a counter weight when operating the Snow Plow. Heavy loads can cause instability. Drive slowly to help prevent accidents, especially when making a turn. Unstable equipment can steer badly and possibly cause an overturn resulting in serious injury or death.**
-
- Operate the Snow Plow from the operator's seat only.
 - Operating the front loader/skid steer in the float position will maximize Cutting Edge protection.
 - To maximize the Cutting Edge down pressure, do not use the hydraulic float position.
 - Never lift Snow Plow high enough to block visibility.
 - Be aware of holes, ditches, and any obstructions that can cause the tractor/skid steer to overturn.
 - When turning, take into consideration the additional length of the Snow Plow on the tractor/skid loader.
 - Never allow anyone to walk or work under the raised Snow Plow. Serious injury or death can occur.
 - Be sure the working area is clear of animals or people before operating equipment.
 - When transporting, drive slow and keep the Snow Plow high enough off the ground to prevent striking any objects but not high enough to obstruct view.
 - Become familiar with the hydraulic controls. Operate the controls smoothly and avoid jerky movements.
 - Always use a tractor equipped with a ROPS cab or roll-over protection.
 - Drive slow over rough terrain or when making turns.
 - Always lower the Snow Plow to the ground when the operation is completed. Never leave the Show Plow in a raised position.

Operation

Skid Shoe Adjustment:

- The height of the skid shoes are adjustable adding or removing the included shims. This will reduce the chance of damage to the blade during snow removal on gravel or loose rock drives.
- Clearing snow: The skid shoes should be $3/8''$ - $3/4''$ below the bottom of the cutting edge.
- Moving loose dirt: The skid shoes should be above the bottom of the cutting edge.
- Adjust the shims by lifting the Snow Plow off the ground and blocking it. Remove the lynch pin from one skid shoe. Slide the skid shoe off and arrange the shims to the desired height. Replace lynch pin. Repeat for the other side. Note: The skid shoes must be the same height.



Operating Snow Blade:

Before snowfall, inspect the area to be cleared. Take note of any obstructions (i.e. curbs, shrubs, sidewalks, parking bumpers, speed bumps, manhole covers, etc). Any obstruction can be potentially damaging to the Snow Plow, tractor/skid steer, possibly causing the operator to lose control and be seriously injured or killed.

Adjusting the Snow Plow with respect to the depth of the snow:

Keep the Cutting Edge of the Snow Plow raised about 7 inches of the ground in heavy snow to shear off the top surface of snow.

Avoid overloading the tractor/skid steer by trying to remove too much snow at one time. Throw enough snow with each pass to get the job done efficiently. Removing too much, too fast can cause excessive wear and/or damage to the equipment.

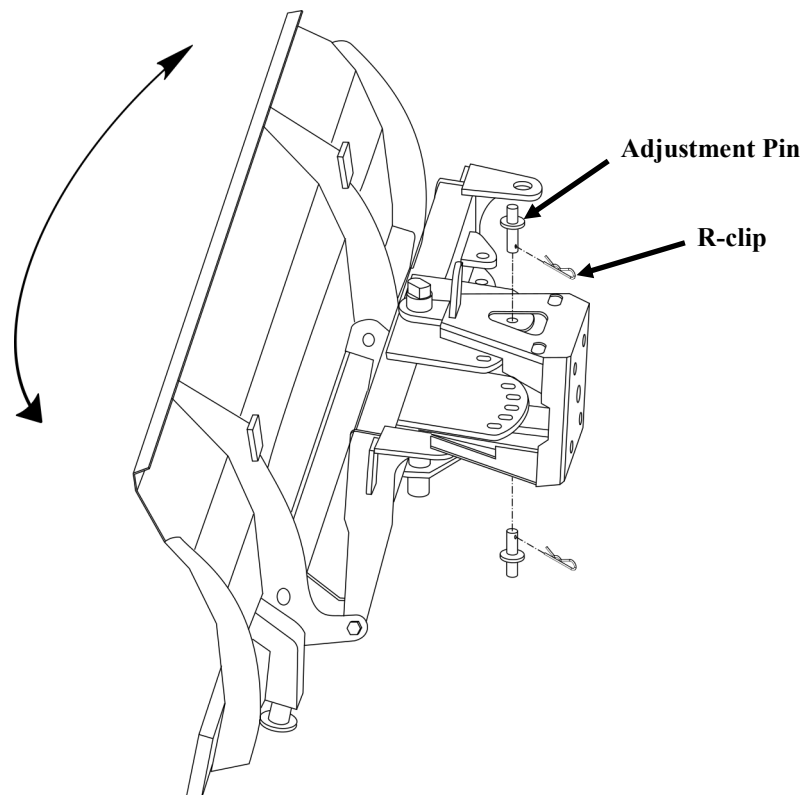
Operation

Angling the blade:

- The attack angle of the Snow Plow should be adjusted to the current conditions. Keep in mind certain factors will affect the angle of attack; weather conditions, type of surface clearing, depth of snow, etc.
- The Snow Plow can be angled manually by raising the Snow Plow off the ground. Only lift the Snow Plow high enough so that it pivots freely.
- With the Snow Plow raised, shut off the tractor/skid loader engine, remove key and set brake. Do not allow animals or people under the raised Snow Plow. Serious injury or death can occur.
- Remove the hair pin from the Adjustment Pins and rotate to the desired angle, left or right, straight.

Caution: When angling the blade, be aware of pinch points. Injury can occur from pinching or crushing. Keep toes and feet from under the blade. The Snow Blade is heavy and may require additional help to angle.

- Re-insert Adjustment Pins and secure with the hair pins. Check all hardware and connections.
- An optional hydraulic angling kit is available for the Snow Plow. The hydraulic angling kit allows the operator to adjust the blade left or right without leaving the tractor/skid steer seat.



Maintenance/Service



DANGER: Stop engine, lock parking brake and remove key before performing any service or maintenance.

Never rely on the tractor/skid steer lift system. Place blocks or stands under the Snow Plow to prevent it from falling, causing serious injury or death.

Always use personal protection devices, such as glasses or gloves when performing maintenance.

- Good maintenance is your responsibility. Poor maintenance is an invitation to trouble.
- Make sure there is plenty of ventilation. Never operate the engine of the towing vehicle in a closed building. The exhaust fumes may cause asphyxiation.
- Be certain all moving parts on attachments have come to a complete stop before attempting maintenance.
- Always use the proper tools or equipment for the job at hand.
- Use extreme caution when making adjustments.
- Never replace hex bolts with less than grade five bolts unless otherwise specified.
- After servicing, be sure all tools, parts and service equipment are removed.
- Where replacement parts are necessary for periodic maintenance and servicing, genuine factory replacement parts must be used to restore your equipment to original specifications. The manufacturer will not claim responsibility for use of unapproved parts and/or accessories and other damages as a result of their use.
- If equipment has been altered in any way from original design, the manufacturer does not accept any liability for injury or warranty.
- Check condition of blade before each use.

Replacing the Cutting Edge:

- Park the tractor/skid steer on a level surface.
- Raise the Snow Plow high enough so it can be supported by blocking. There should be approximately 6"-8" of clearance from the Cutting Edge to the ground.
- Shut off the tractor/skid steel engine, remove key and set park brake. Make sure that all moving parts are stopped and relieve hydraulic pressure.
- At this time, only loosen the Cutting Edge bolts. Do not remove any hardware at this time.
- Remove one bolt at time, leaving the end bolts in place. Next, support one end of the blade and remove the end bolt. Allow the end of the Cutting Edge to swivel to the ground. Repeat for the opposite end. Note: An additional person would be helpful when removing and replacing the Cutting Edge.
- Replace Cutting Edge. Place a bolt in one end of the Cutting Edge, Snow Plow and hand tighten. Repeat for the other end. Attach the remaining hardware and tighten all hardware according to proper torque specifications. See page 18 for "Torque Specification" Chart.

Torque Specifications

Torque Specifications for Common Bolt Sizes															
Inches		Bolt Head Identification						Metric		Bolt Head Identification					
Bolt size (inches)	Thread pitch	Grade 2		Grade 5		Grade 8		Bolt size (metric)	Thread pitch	Class 5.8		Class 8.8		Class 10.9	
		N.m	ft-lb	N.m	ft-lb	N.m	ft-lb			N.m	ft-lb	N.m	ft-lb	N.m	ft-lb
1/4"	20	7	5	11	8	16	12	M5	0.08	4	3	6	4	9	7
1/4"	28	8	6	13	10	19	14	M6	1	6	4	10	7	15	11
5/16"	18	15	11	24	17	33	25	M8	1.25	16	12	25	18	36	27
5/16"	24	17	13	26	19	37	27	M8	1	17	13	26	19	38	28
3/8"	16	27	20	42	31	59	44	M10	1.5	31	23	48	35	71	52
3/8"	24	31	23	47	35	67	49	M10	1.25	33	24	51	38	75	55
7/16"	14	43	32	67	49	95	70	M10	1	35	26	53	39	78	58
7/16"	20	48	36	75	55	106	78	M12	1.75	54	40	84	62	123	91
1/2"	13	66	48	102	75	144	106	M12	1.5	56	41	87	64	128	94
1/2"	20	75	55	115	85	163	120	M12	1.25	59	44	90	66	133	98
9/16"	12	95	70	147	109	208	154	M14	2	84	62	133	98	195	144
9/16"	18	106	79	164	121	232	171	M14	1.5	94	69	142	105	209	154
5/8"	11	132	97	203	150	287	212	M16	2	131	97	206	152	302	223
5/8"	18	149	110	230	170	325	240	M16	1.5	141	104	218	161	320	236
3/4"	10	233	172	361	266	509	376	M18	2.5	181	133	295	218	421	310
3/4"	16	261	192	403	297	569	420	M18	2	196	145	311	229	443	327
7/8"	9	226	167	582	430	822	606	M18	1.5	203	150	327	241	465	343
7/8"	14	249	184	642	473	906	668	M20	2.5	256	189	415	306	592	437
1"	8	339	250	873	644	1232	909	M20	1.5	288	212	454	335	646	476
1"	12	371	273	955	704	1348	995	M22	2.5	344	254	567	418	807	595
1-1/8"	7	480	354	1077	794	1746	1288	M22	1.5	381	281	613	452	873	644
1-1/8"	12	539	397	1208	891	1958	1445	M24	3	444	327	714	526	1017	750
1-1/4"	7	677	500	1519	1120	2463	1817	M24	2	488	360	769	567	1095	808
1-1/4"	12	750	553	1682	1241	2728	2012	M27	3	656	484	1050	774	1496	1103
1-3/8"	6	888	655	1992	1469	3230	2382	M27	2	719	530	1119	825	1594	1176
1-3/8"	12	1011	746	2268	1673	3677	2712	M30	3.5	906	668	1420	1047	2033	1499
1-1/2"	6	1179	869	2643	1949	4286	3161	M30	2	1000	738	1600	1180	2250	1659
1-1/2"	12	1326	978	2974	2194	4823	3557	M36	4	1534	1131	2482	1830	3535	2607

Notes:

This chart is an approximate estimate of torque values.

Always tighten hardware to these values unless a different torque value or tightening procedure is listed for a specific application.

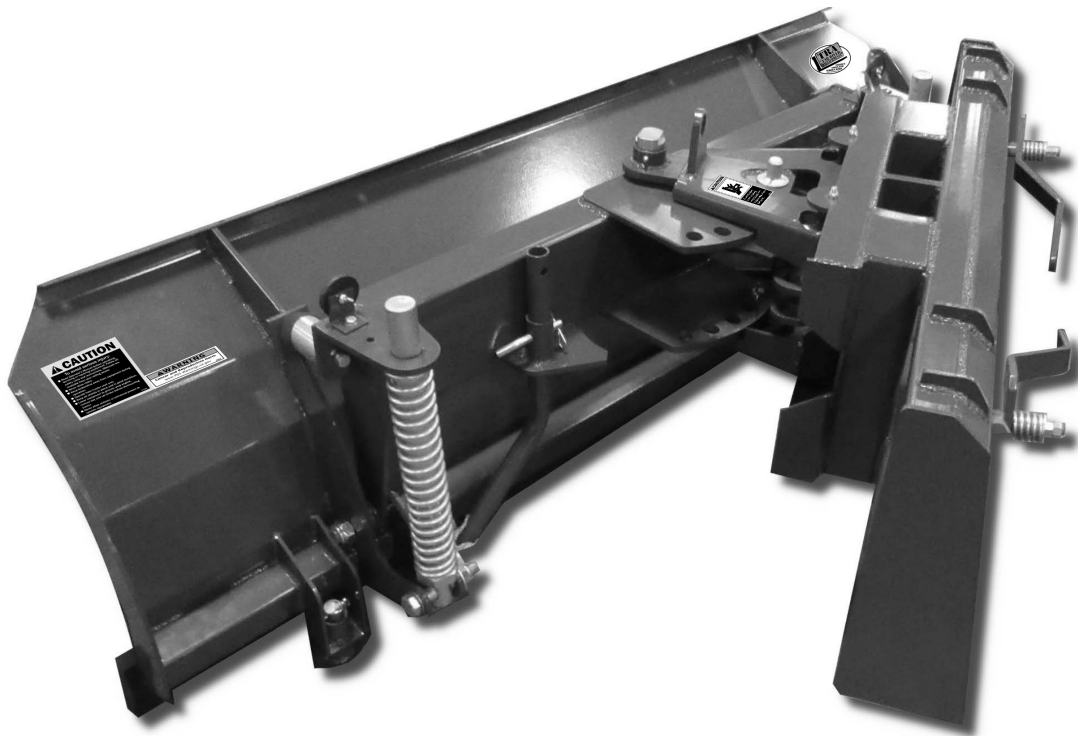
Fasteners must always be replaced with the same grade as specified in the manual.

Always use the proper tool for tightening hardware: SAE for SAE hardware and Metric for Metric hardware.

Make sure that fastener threads are clean and that you properly start thread engagement.

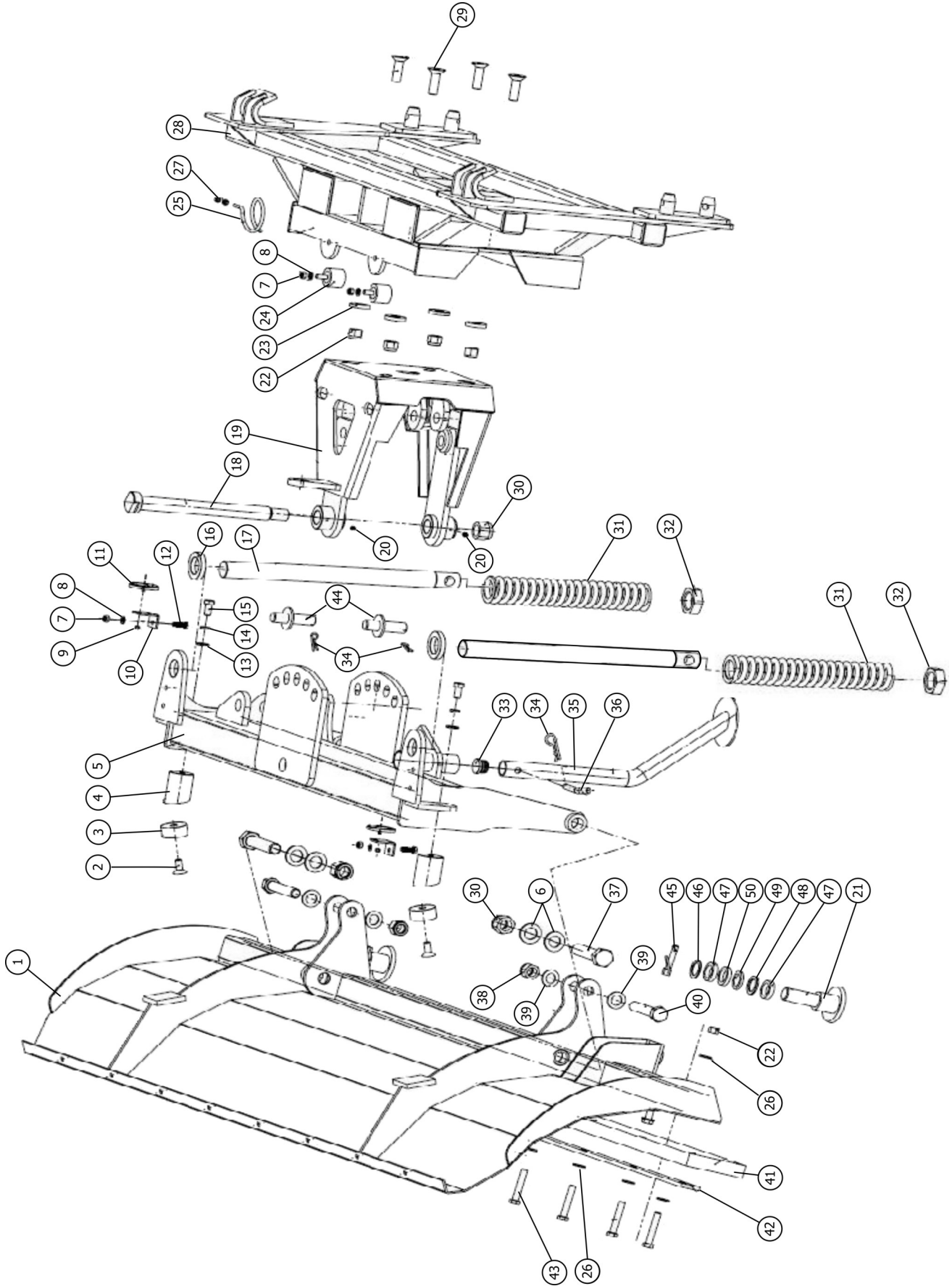


CSP Series Compact Snow Blades



Part's Manual

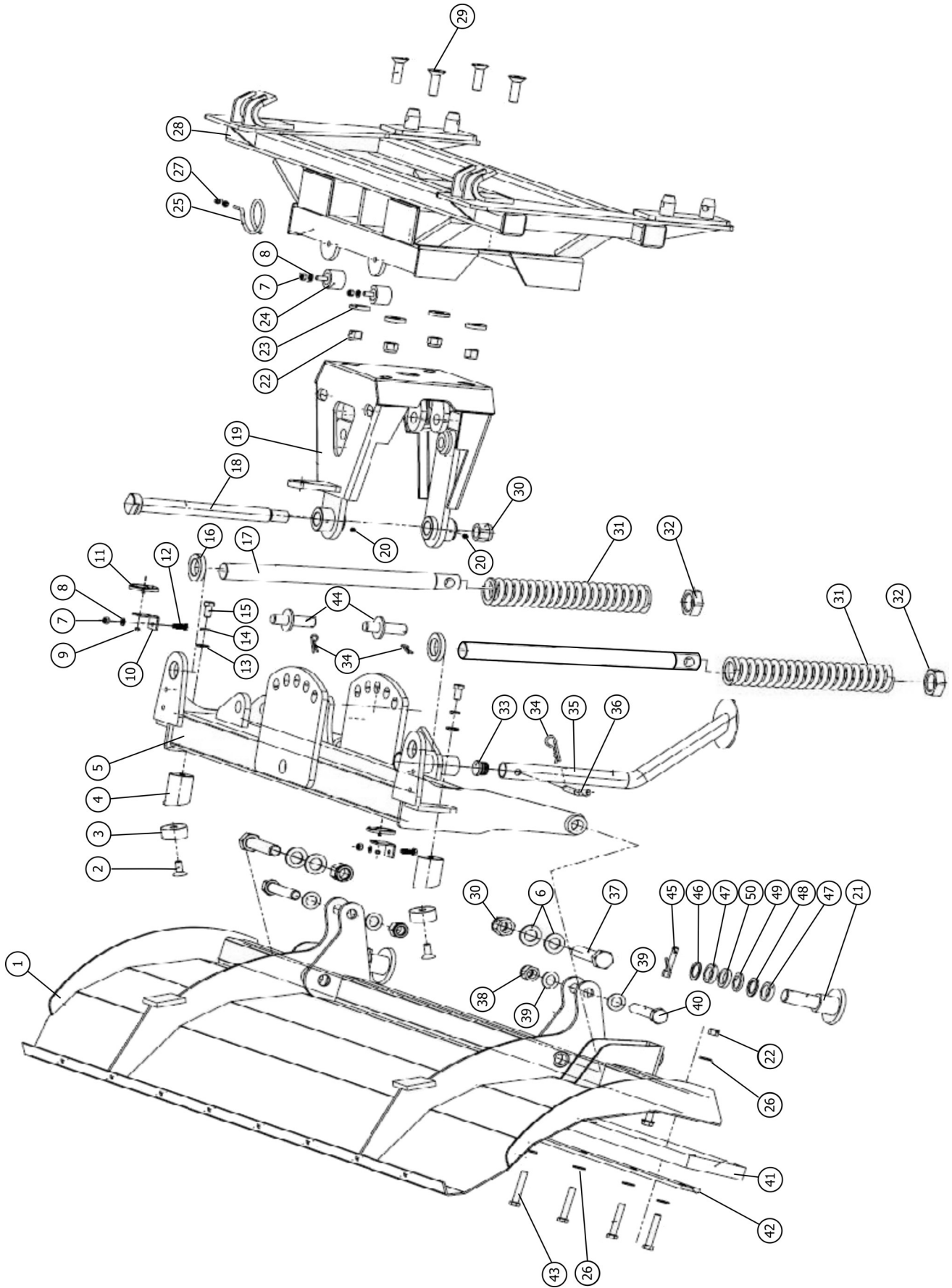
CSP Compact Snow Blade Assembly



CSP Compact Snow Blade Assembly

Item	Part #	Description	Qty.
1	SSP1001-60	Moldboard - 60"	1
	SSP1001-72	Moldboard - 72"	1
	SSP1001-84	Moldboard - 84"	1
	SSP1001-96	Moldboard - 96"	1
2	SSM1217530	Bolt countersunk M12-1.75x30	2
3	SSP1003	Shock absorber M50 dia x M23 length	2
4	SSP1004	Shock bolt	2
5	SSP1005	Moldboard swivel frame	1
6	FW24	Washer flat M24	5
7	LNLM08125	Nut self-locking M8-1.25	4
8	FW08	Washer flat M8	4
9	NM0508	Nut HH M5-0.8	2
10	SSP1012	Reflector stand	2
11	SSP1013	Round red reflector - M57	2
12	BM0812525	Bolt HH M08-1.25x25	2
13	FW12	Washer flat M12	38
14	LW12	Washer lock M12	2
15	BM1217525	Bolt HH M12-1.75x25	2
16	SSP1018	Spring retaining ring	2
17	SSP1019	Spring shaft	2
18	SSP1020	Suspension connection pin	1
19	SSP1021	Hanging hinge - swivel	1
20	MSTSC06x1	Set screw M16-1.0	3
21	SSP1024	Skid	2
22	LNLM1620	Nut self-locking M16-2.0	4
23	SSP1027	Spacing washer M16	4
24	SSP1028	Rubber shock block M8x23 D40 H30	2
25	SSP1029	Clamp	1
26	FW16	Washer flat M16	-
27	NM0610	Nut HH M06-1.0	2
28	SSP1032A	Mounting frame - John Deere mount	1
	SSP1032B	Mounting frame - Skid Loader mount	1
29	SSM162055	Bolt countersunk M16-2.0x55	4
30	LNLM243	Nut self-locking M24-3.0	3
31	SSP1035	Compression spring M10x50x346	2
32	TNM364	Nut thin M36-4.0	2
33	SSP1037	Plastic plug M28	1
34	RC4	R-clip M4	3

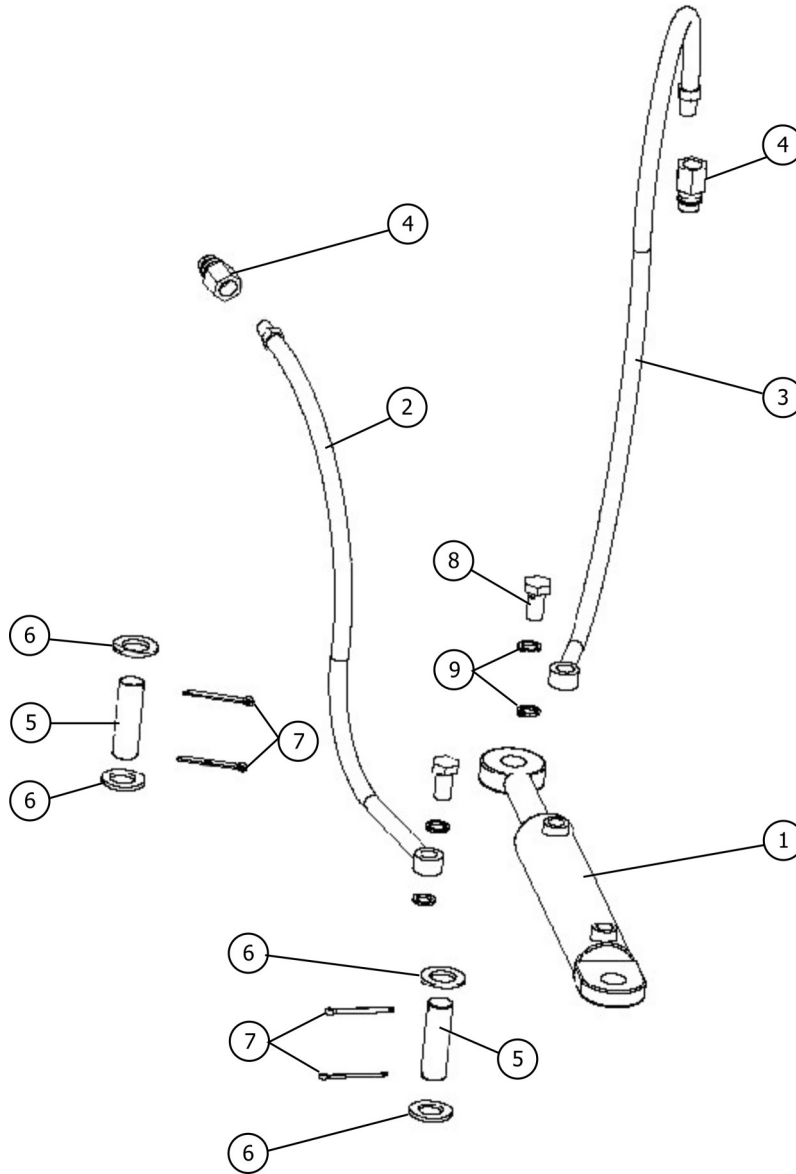
CSP Compact Snow Blade Assembly



CSP Compact Snow Blade Assembly

Item	Part #	Description	Qty.
35	SSP1039	Support foot	1
36	SSP1040	Support foot lock pin	1
37	BM2430110	Bolt HH M24-3.0x110 (half-thread)	2
38	LN2025	Nut self-locking M20-2.5	2
39	FW20	Washer flat M20	4
40	BM2025110	Bolt HH M20-2.5x110	2
41	SSP1045-60	Rubber edge 5'	1
	SSP1045-72	Rubber edge 6'	1
	SSP1045-84	Rubber edge 7'	1
	SSP1045-96	Rubber edge 8'	1
	RB10028-60	Metal edge 5'	1
	RB10028-72	Metal edge 6'	1
	RB10028-84	Metal edge 7'	1
	RB10028-96	Metal edge 8'	1
42	SSP1046-60	Rubber edge holding plate 5'	1
	SSP1046-72	Rubber edge holding plate 6'	1
	SSP1046-84	Rubber edge holding plate 7'	1
	SSP1046-96	Rubber edge holding plate 8'	1
43	BM162070	Bolt HH M16-2.0x70 (<i>rubber edge only</i>)	-
	FCBM162060	Bolt flat head carriage M16-2.0x60 (<i>metal edge only</i>)	-
44	SSP1048	Adjustable pin	2
45	LYNPN10	Lynch pin M10	2
46	SSP1051-2	Adjustment shims M2	2
47	SSP1051-9	Adjustment shims M9	4
48	SSP1051-3	Adjustment shims M3	2
49	SSP1051-5	Adjustment shims M5	2
50	SSP1051-7.5	Adjustment shims M7.5	2

CSP Compact Snow Blade Hydraulics



CSP Compact Snow Blade Hydraulics

Item	Part #	Description	Qty.
1	SSP2001	Cylinder	1
2	SSP2002	Hydraulic hose 10I-1215 (1380mm)	1
3	SSP2003	Hydraulic hose 10I-1755 (1960mm)	1
4	SSP2004	Quick change connector (male) G1/2	2
5	SSP2005	Pin M25x85	2
6	FW24	Washer flat M24	4
7	CP5x60	Cotter pin M5x60	2
8	BANJOBM1615	Bolt banjo M16-1.5	2
9	CW16	Washer compression M16	4

CSP Compact Snow Blade Hydraulics



Item	Part #	Description	Qty.
1	D1001	Decal Caution "To Avoid Serious Injury"	1
2	D960	Decal Warning "Cancer"	1
3	9270112	Decal Caution "To Avoid Injury from Crushing"	1
4	DECAL1210	TRA small 3.5x2.5	1
5	-	Decal Model # CSP60	-
	-	Decal Model # CSP72	-
	-	Decal Model # CSP84	-
	-	Decal Model # CSP96	-

Warranty

LIMITED WARRANTY

Belco Resources Equipment warrants to the original purchaser of any new piece of machinery from Belco Resources Equipment, purchased from an authorized Belco Resources Equipment dealer, that the equipment be free from defects in material and workmanship for a period of one (1) year for non-commercial, state, and municipalities' use, ninety (90) days for commercial use from date of retail sale. Warranty for rental purposes is thirty (30) days. The obligation of Belco Resources Equipment to the purchaser under this warranty is limited to the repair or replacement of defective parts.

Replacement or repair parts installed in the equipment covered by this limited warranty are warranted for ninety (90) days from the date of purchase of such part or to the expiration of the applicable new equipment warranty period, whichever occurs later. Warranted parts shall be provided at no cost to the user at an authorized Belco Resources Equipment dealer during regular working hours. Belco Resources Equipment reserves the right to inspect any equipment or parts, which are claimed to have been defective in material or workmanship.

This limited warranty does not apply to and excludes wear items such as shear pins, tires, tubes knives, blades or other wear items. Oil or grease is not covered by this warranty.

All obligations of Belco Resources Equipment under this limited warranty shall be terminated if:

Proper service is not performed on the machine.

The machine is modified or altered in any way.

The machine is being used or has been used for purposes other than those for which the machine was intended.

DISCLAIMER OF IMPLIED WARRANTIES & CONSEQUENTIAL DAMAGES

Belco Resources Equipment obligation under this limited warranty, to the extent allowed by law, is in lieu of all warranties, implied or expressed, including implied warranties of merchantability and fitness for a particular purpose and any liability for incidental and consequential damages with respect to the sale or use of the items warranted. Such incidental and consequential damages shall include but not be limited to: transportation charges other than normal freight charges; cost of installation other than cost approved by Belco Resources Equipment; duty; taxes; charges for normal service or adjustment; loss of crops or any other loss of income; rental of substitute equipment, expenses due to loss, damage, detention or delay in the delivery.

REGISTRATION

The online Warranty Registration must be completed in order to qualify for coverage on this Limited Warranty. Visit br-equipment.com, click on "Warranty Registration" and completely fill out the form to register the new piece of equipment.



401 Jeffreys Road
Rocky Mount, NC 27804
www.tarrivermfg.com

Tel: 252-822-7140
Fax: 252-787-5855
Sales@tarrivermfg.com