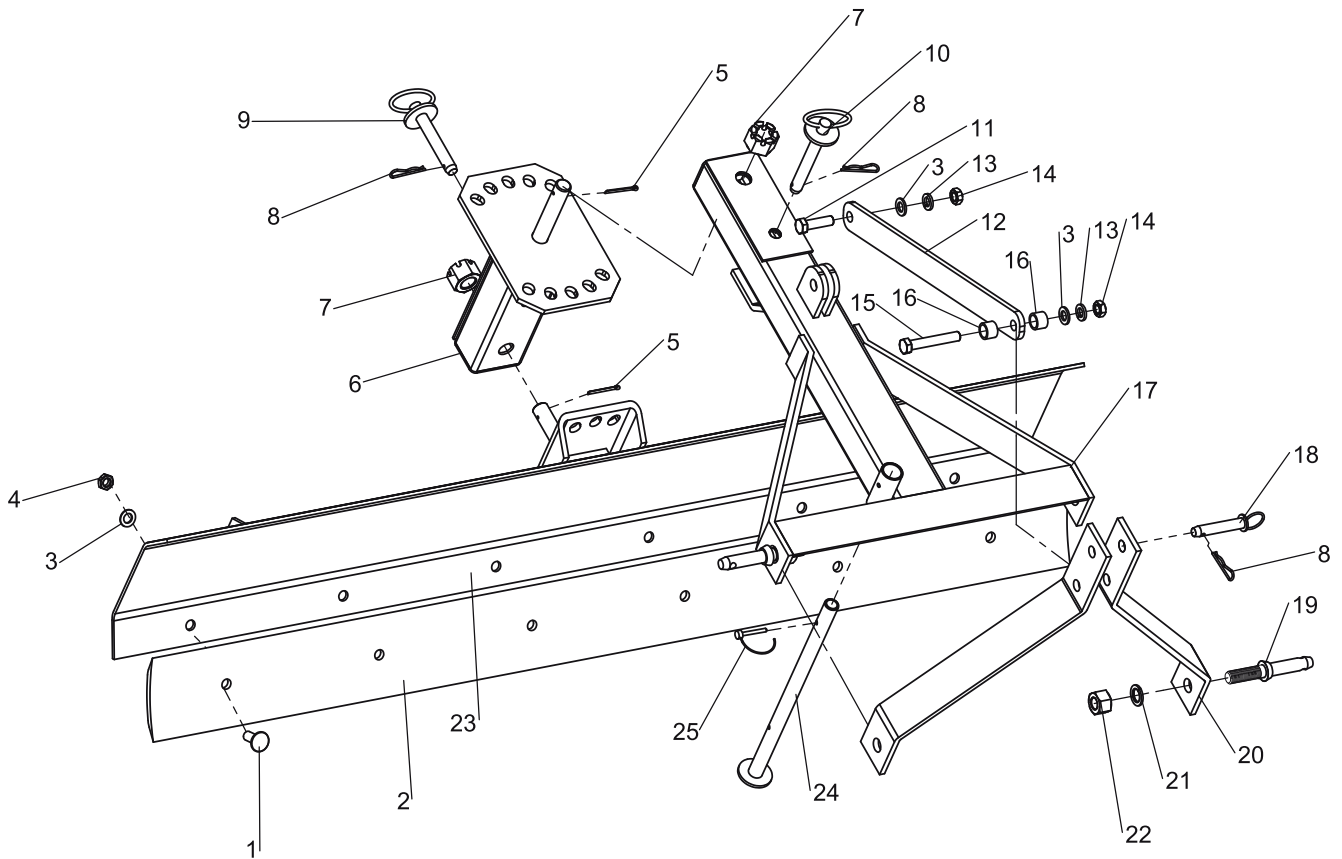


3-Point Grader Blade Parts Diagram & Parts List



REF NO.	PART NO.	DESCRIPTION	SPECIFICATION	Q'TY	REF NO.	PART NO.	DESCRIPTION	SPECIFICATION	Q'TY
1		Carridge Bolt M16x40	4'	4	8		Hair Pin $\Phi 5$		3
			5'	5	9	180009	Pin $\Phi 18 \times 120$		1
			6'	6	10	180010	Pin $\Phi 18 \times 150$		1
			7'	7	11		Bolt M16x55		1
2	180402	Cutting Edge	4'	1	12	180012	Brace		1
	180502		5'	1	13		Lock Washer 16		2
	180602		6'	1	14		Nut M16		2
	180702		7'	1	15		Bolt M16x100		1
3		Flat Washer 16	4'	6	16	180016	Steel Collar		2
			5'	7	17	180017	Main Frame Weldment		1
			6'	8	18	180018	Pin $\Phi 19 \times 95$		2
			7'	9	19	180019	Hitch Pin		2
4		Lock Nut M16	4'	4	20	180020	Side Bar		2
			5'	5	21		Lock Washer 22		2
			6'	6	22		Nut M22		2
			7'	7	23	180023	Moldboard		1
5		Cotter Pin $\Phi 5 \times 50$		2	24	180024	Support Bar		1
6	180006	Mounting Weldment		1	25		Lock Pin $\Phi 6$		1
7		Castle Nut		2					