

GREENSCAPE 600 & 840

Conservation Seeder



Operator's Manual

Page left blank intentionally

TO THE DEALER:

Assembly and proper installation of this product is the responsibility of the Belco Resources dealer. Read manual instructions and safety rules. Make sure all items on the Dealer's Pre-Delivery and Delivery Check Lists in the Owner's/Operator's Manual are completed before releasing equipment to the owner.

TO THE OWNER:

Read this manual before operating your Belco Resources equipment. The information presented will prepare you to do a better and safer job. Keep this manual handy for ready reference. Require all operators to read this manual carefully and become acquainted with all the adjustment and operating procedures before attempting to operate. Replacement manuals can be obtained from your selling dealer. The equipment you have purchased has been carefully engineered and manufactured to provide dependable and satisfactory use. Like all mechanical products, it will require cleaning and upkeep. Lubricate the machine as specified. Observe all safety information in this manual and safety decals on the equipment. For service, your authorized Belco Resources dealer has trained mechanics, genuine Belco Resources service parts, and the necessary tools and equipment to handle all your needs. Use only genuine Belco Resources service parts. Substitute parts will void the warranty and may not meet standards required for safe and satisfactory operation.

Record your implement model and serial number in the space provide below. Your dealer will need this information to give you prompt, efficient service.

Model Number: _____

Serial Number: _____

Date Purchased: _____

Table of Contents

Introduction	5
Technical Specifications	5
Safety	6
Safety Signal Words	6
General Safety Guidelines	7
Safety Decal Care	7
Before Operation	8
During Operation	9
Highway And Transport Operations	10-11
Attaching to Tractor.....	12
Operating Instructions.....	13
Calibration Adjustments & Rates.....	14
Seed Rate Adjustment Proceedure.....	15-16
Calibration Charts.....	17-19
Trouble Shooting.....	20
Torque Specifications	21
Parts Breakdown	23-62
Warranty	63

Introduction

Thank you for purchasing your Greenscape Conservation Seeder. The Greenscape Conservation Seeder Effectively prepares the soil, drops and lightly covers the seed, and then firmly presses the soil for a perfectly prepared seedbed. The Greenscape Conservation Seeder is ground driven with no PTO shafts or gearboxes to maintain and requires a min. 35 HP (600) or 50 HP (840).

Technical Specifications

- Three point hitch Cat. 1 &2
- Heavy tubular frame construction
- Ground driven, no PTO or gearbox to maintain
- Precise seed metering cups with individual clean out gates

	Greenscape 600	Greenscape 840
Hitch	Cat. 1 & 2	Cat. 1 & 2
Horse power (min.)	35 HP	50 HP
Working width	60"	84
Overall width	73"	98"
Overall length	67"	76"
Overall height	48"	54"
Weight	1480 lbs.	2090 lbs.
Large seed box capacity	3-1/2 Bu. (4.4 cu. ft.)	8-1/4 Bu. (10.3 cu. ft.)
Legume seed box capacity	1-1/2 Bu. (1.87 cu. ft.)	2-1/8 Bu. (2.64 cu. ft.)
Front spike roller	15.75" O.D. (72 spikes)	19.75" O.D. (132 spikes)
Rear spike roller	15.75" O.D. (114 spikes)	19.75" O.D. (150 spikes)
Rear cultipacker roller	Fiber reinforced nylon rings	Fiber reinforced nylon rings
Roller spikes	AR-500 steel	AR-500 steel
Spike roller drive ratio	15:22	15:20
Seed box drive ratio	15:28 standard	17:28 standard

Important Safety Information

Safety

It is important that you read the entire manual and to become familiar with this product before you begin using it. This product is designed for certain applications only. The manufacturer cannot be responsible for issues arising from modification. We strongly recommend this product not be modified and /or used for any application other than that for which it is designed. If you have any questions relative to a particular application, DO NOT use the product until you have first contacted us to determine if it can or should be performed on the product.

Read and understand this manual and all safety signs before operating and maintaining . Review the safety instructions and precautions annually.

Safety Signal Words

TAKE NOTE! This safety alert symbol found though out this manual is used to call you attention to instructions involving you personal safety and the safety of others. Failure to follow these instructions can result in injury or death.



**This symbol means:
Attention!
Become alert!
Your safety is involved!**

Note the use of the signal words, DANGER, WARNING and CAUTION with the safety messages. The appropriate signal word for each has been selected using the following guidelines:



DANGER: Indicates an imminently hazardous situation that, if not avoided, will result in death or serious injury. This signal word is to be limited to the most extreme situations typically for machine components which, for functional purposes, cannot be guarded.



WARNING: Indicates a potentially hazardous situation that, if not avoided, could result in death or serious injury, and includes hazards that are exposed when guards are removed. It may also be used to alert against unsafe practices.



CAUTION: Indicates a potentially hazardous situation that, if not avoided, may result in minor or moderate injury. It may also be used to alert against unsafe practices.

Important Safety Information

General Safety Guidelines

Safety of the operator is one of the main concerns in designing and developing a new piece of equipment. Designers and manufacturers build in as many safety features as possible. However, every year many accidents occur which could have been avoided by a few seconds of thought and a more careful approach to handling equipment. You, the operator, can avoid many accidents by observing the following precautions in this section. To avoid personal injury, study the following precautions and insist those working with you, or for you, follow them.

Replace any DANGER, WARNING, CAUTION or instruction safety decal that is not readable or is missing. Location of such decals are indicated in this manual. Do not attempt to operate this equipment under the influence of drugs or alcohol.

Review the safety instructions with all users annually.

This equipment is dangerous to children and persons unfamiliar with its operation. The operator should be a responsible adult familiar with farm machinery and trained in this equipment's operations. **Do not allow persons to operate or assemble this machine until they have read this manual and have developed a thorough understanding of the safety precautions and of how it works.**

To prevent injury of death, use a tractor equipped with a Roll Over Protection System (ROPS). Do not paint over, remove or deface any signs or warning decals on your equipment. Observe all safety signs and practice the instructions on them.

Never exceed the limits of a piece of machinery. If its ability to do a job, or to do so safely, is in question - **Don't try it!**



Safety Decal Care

- Keep safety signs clean and legible at all times.
- Replace safety signs that are missing or have become illegible.
- Replaced parts that displayed a safety sign should also display the current safety sign
- Safety signs are available from your Distributor or Dealer Parts Department or the factory.

Important Safety Information

How to install Safety Signs:

- Be sure that the installation area is clean and dry.
- Decide on the exact position before you remove the backing paper.
- Remove the smallest portion of the split backing paper.
- Align the decal over the specified area and carefully press the small portion with the exposed sticky backing in place.
- Slowly peel back the remaining paper and carefully smooth the remaining portion of the decal in place.
- Small air pockets can be pierced with a pin and smoothed out using the piece of decal backing paper.



Before Operation

- Carefully study and understand this manual.
- Do not wear loose-fitting clothing, which may catch in moving parts.
- Always wear protective clothing and substantial shoes.
- Assure that all tires are inflated evenly.
- Give the machine a visual inspection for any loose bolts, worn parts or cracked welds, and make necessary repairs. Follow the maintenance safety instructions included with this manual.
- Be sure that there are no tools lying on or in the equipment.
- Do not use the machine until you are sure that the area is clear, especially of children and animals.
- Don't hurry the learning process or take the machine for granted. Ease into it and become familiar with your new equipment.
- Practice operation of your equipment and its attachments. Completely familiarize yourself and other operators with its operation before using.
- Use a tractor equipped with a Roll Over Protection System (ROPS) and fasten your seat belt prior to starting engine.
- The manufacturer does not recommend usage of tractor with ROPS removed.
- Move tractor wheels to the widest recommended settings to increase stability.
- Securely attach to towing unit. Use a high strength, appropriately sized hitch pin with a mechanical retainer and attach safety chain.
- Do not allow anyone to stand between the tongue or hitch and the towing vehicle when backing up to the equipment.
- Do not use the machine until you are sure that the area is clear, especially of children and animals.

Important Safety Information



During Operation

- Children should not be allowed on the product.
- Clear the area of small children and bystanders before moving the feeder.
- If using a towing unit, securely attach feeder by using a hardened 3/4" pin, a metal retainer, and safety chains if required. Shift towing unit to a lower gear before going down steep downgrades, thus using the engine as a retarding force. Keep towing vehicle in gear at all times. Slow down for corners and rough terrain.
- Make sure you are in compliance with all local and state regulations regarding transporting equipment on public roads and highways. Lights and slow moving signs must be clean and visible by overtaking or oncoming traffic when feeder is transported.
- Beware of bystanders, **particularly children!** Always look around to make sure that it is safe to start the engine of the towing vehicle or move the machine. This is particularly important with higher noise levels and quiet cabs, as you may not hear people shouting.
- **NO PASSENGERS ALLOWED!** Do not carry passengers anywhere on, or in, the tractor or equipment, except as required for operation.
- Keep hands and clothing clear of moving parts.
- Do not clean, lubricate or adjust your equipment while it is moving.
- When halting operation, even periodically, set the tractor or towing vehicle brakes, disengage the PTO, shut off the engine and **remove the ignition key.**
- Be especially observant of the operating area and terrain. Watch for holes, rocks or hidden hazards. Always inspect the area prior to operation.
- **DO NOT** operate near the edge of drop-offs or banks.
- **DO NOT** operate on steep slopes as overturns may result.
- Operate up and down (not across) intermediate slopes. Avoid sudden starts and stops.



Warning: Never backup with the implement on the ground! This will cause damage to the implement. Always lift the implement high enough to clear the ground before backing up.

Important Safety Information



Highway and Transport Operations

- Adopt safe driving practices.
- Keep the brake pedals latched together at all times. **Never use independent braking with machine in tow as loss of control and/or upset of machine can result.**
- Always drive at a safe speed relative to local conditions and ensure that your speed is low enough for an emergency stop to be safe and secure. Keep speed at a minimum.
- Reduce speed prior to turns to avoid the risk of overturning.
- Avoid sudden uphill turns on steep slopes.
- Always keep the tractor or towing vehicle in gear to provide engine braking when going downhill. Do not coast.
- Do not drink and drive!
- Comply with state and local laws governing highway safety and movement of farm machinery on public roads.
- Use approved accessory lighting flags and necessary warning devices to protect operators of other vehicles on the highway during daylight and nighttime transport. Various safety lights and devices are available from your dealer.
- The use of flashing amber lights is acceptable in most localities. However, some localities prohibit their use. Local laws should be checked for all highway and marking requirements.
- When driving the tractor and equipment on the road or highway under 40 kph (20 mph) at night or during the day, use the amber warning lights and a slow moving vehicle (SMV) identification emblem.
- Plan your route to avoid heavy traffic.
- Be a safe and courteous driver. Always yield to oncoming traffic in all situations, including narrow bridges, intersections, etc.
- Be observant of bridge loading ratings. Do not cross bridges rated at lower than the gross weight at which you are operating.
- Watch for obstructions overhead and to the side while transporting.
- Always operate in a position to provide maximum visibility at all times. Make allowances for increased length and weight of the equipment when making turns, stopping the machine, etc.
- Pick the most level route when transporting across fields. Avoid the edges of ditches or gullies and steep hillsides.
- Be extra careful when working in inclines.

Important Safety Information



Highway and Transport Operations

- Maneuver the tractor or towing vehicle at safe speeds.
- Avoid overhead wires or other obstacles. Contact with overhead lines could cause serious injury or death.
- Avoid loose fill, rocks and holes, they can be dangerous for equipment operation or movement.
- Allow for machine length when making turns,
- Operate the towing vehicle from the operator's seat only.
- Never stand alongside of machine with engine running or attempt to start engine and/or operate machine while standing alongside of machine.
- Never leave running equipment attachments unattended.
- As a precaution, always recheck the hardware on equipment following every 100 hours of operation. Correct all problems. Follow the maintenance safety procedures.

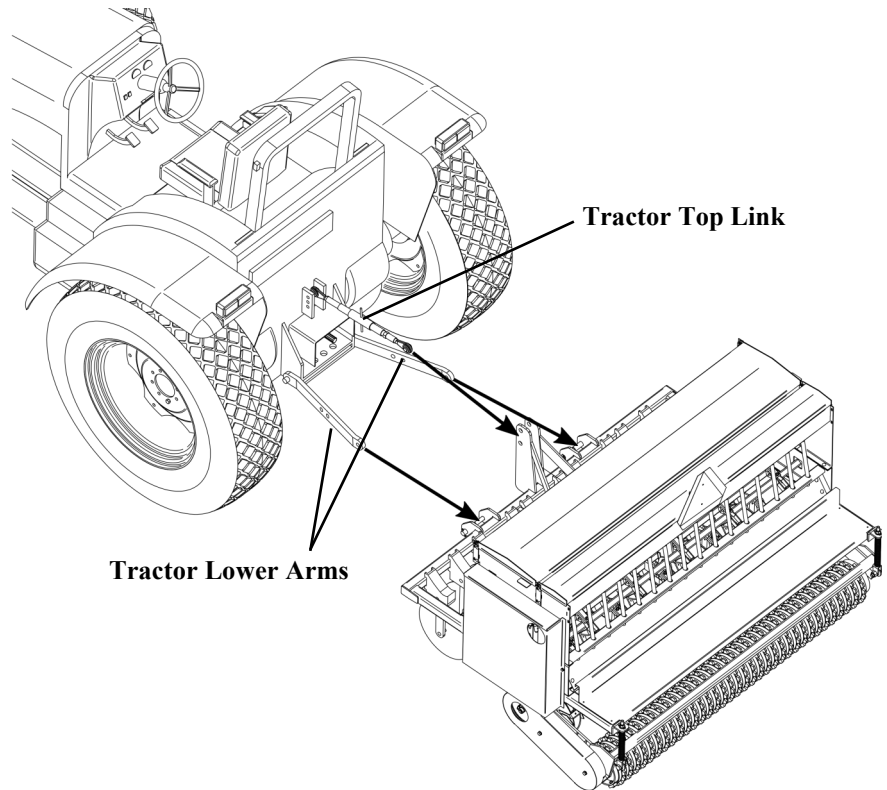
Attaching to Tractor



Warning: When attaching the Conservation Seeder, *Never* allow anyone to stand between the Conservation Seeder and the tractor. Serious injury or death can occur!

Attaching the Conservation Seeder

- Back up the tractor to the Conservation Seeder, while lining up the lower tractor links to the Conservation Seeder lower pins.
- Stop the engine, set the brake and remove the key from the tractor and block the tractor tires.
- Secure the tractor lower arms to the Plotter lower pins with lynch pins.
- Attach the tractor top link to the Conservation Seeder with the top link pin and r-clip.
- Adjust the tractor sway bars/chains to center the rotary cutter and remove excess sway.
- Adjust lower links and top link so that the Conservation Seeder is level.
- Operate the tractor hydraulic controls very slowly up and down. There should be no contact between the Conservation Seeder or any part of the tractor. Failure to check clearance can result in damage to the Conservation Seeder, tractor (especially the tires) and possible injury to the operator. Maintain no less than 6" of clearance between the Conservation Seeder, tractor and tractor tires throughout the complete range of motion.



Operating Instructions

- The top link on the tractor hitch should be properly adjusted to carry the machine level in an operating position. During operation the tractor lift must be fully lowered to allow the machine to follow the contour of the ground.
- The machine is totally ground driven, so proceed with a speed that is most comfortable and safe for existing conditions.
- Be sure to stop forward motion before lifting machine off ground. This practice will stop rollers from 'free spinning' and therefore eliminate the unwanted application of when turning around.



Warning: Never backup with the implement on the ground! This will cause damage to the implement. Always lift the implement high enough to clear the ground before backing up.

Operating Instructions

The Greenscape Conservation Seeder is a multi-task landscape machine. It can be used for primary seeding, overseeding, applying fertilizer or lime, aerating and dethatching.

If conditions are such that multiple passes are needed before application of seed; you can disengage seed box by pulling out spring loaded pin in transmission sprocket assembly found behind large guard on left side of machine. Rotate the pin 90 degrees and release. To re-engage seed box drive assembly, reverse this procedure. When the sprocket rotates enough to align the holes, the internal spring will cause the pin to engage the inside sprocket.



The depth of the second spike roller can be controlled by the length of the turnbuckles that connect the torque bar to the cultipacker roller. Lengthen the turnbuckles to raise the rear or 'driven' spike roller or shorten the turnbuckle if you want the driven spike roller to operate deeper. The rear cultipacker roller is spring loaded in order to provide good ground contact in uneven terrain and to prevent itself and the driven spike roller from cavitating in low spots. The tickler tines are to improve seed to soil contact and should not be positioned aggressive enough to 'carry' trash or residue in an over seeding situation.

The top link on the tractor hitch should be properly adjusted to carry the machine level in an operating position. During operation the tractor lift must be fully lowered to allow the machine to follow the contour of the ground.

The machine is totally ground driven, so proceed with a speed that is most comfortable and safe for existing conditions.

Be sure to stop forward motion before lifting machine off ground. This practice will stop rollers from 'fre spinning' and therefore eliminate the unwanted application of when turning around.

Never operate the machine in reverse, serious damage will occur.

Calibration Adjustments & Rates

The tables and rate charts in this manual are for guidelines only. They are designed to be an aid as a starting point. You must do your own calibration; as many factors cause rates to change. Variations in seed/granular size, density, moisture, seed treatment, and the amount of machine overlap will affect the final application rate. Also 'slippage' of front spike roller will cause variations. For instance, in loose soil, such as disced or harrowed, the front roller will slip possibly up to 20%; while in over seeding into established vegetation, you will likely have very little slippage. The most accurate way to set application rates is to drive a predetermined distance and actually catch the seeds dispensed. To do this, remove at least one drop hose and tie a plastic bag onto bottom of seed cup. Then weigh the seeds in the bag and multiply by the number of cups on your machine. Refer to the following example to properly calibrate your machine.

□ $\text{Distance traveled (in feet)} \times \text{Width of machine (in feet)} / 43,560 = \text{acres}$

For example:

You collect 1.25 oz of seed from '1' cup after driving a 1/100 of an acre (87 ft. for model Green-scape 600 machine or 62ft. for model 840)

60" (5') machine --- 87' = 1/100 acres	84" (7') machine --- 62' = 1/100 acres
<div style="display: flex; justify-content: space-between;"> <div style="width: 45%;"> <p>1.25 oz 60" hopper)</p> <p>1/100 acre)</p> <p style="text-align: right;"><u>x 100</u></p> <p>1000 oz (seed applied to 1 acre) <u>/ 16</u> (16oz = 1 lb)</p> <p>62.5 lbs per acre</p> </div> <div style="width: 45%; text-align: right;"> <p>(seed caught from 1 cup) <u>x 8</u> (total number of cups on</p> <p>10 oz (seed applied to</p> </div> </div>	<div style="display: flex; justify-content: space-between;"> <div style="width: 45%;"> <p>1.25 oz per)</p> <p>applied to 1/100 acre)</p> <p style="text-align: right;"><u>x 100</u></p> <p>1250 oz (seed applied to 1 acre) <u>/ 16</u> (16oz = 1 lb)</p> <p>78.125 lbs per acre</p> </div> <div style="width: 45%; text-align: right;"> <p>(seed caught from 1 cup) <u>x 10</u> (total number of cups on 84" hop-</p> <p>12.5 oz (seed</p> </div> </div>

Seed Rate Adjustment Procedure

Large Grass Seed Hopper:

To increase the seed rate, turn the knob on the right end of the hopper **Counterclockwise**. Refer to the indicator reading on the square seed shaft and find the corresponding number on the calibration chart 2 to assure your new rate. Reverse this procedure to decrease rate. **Remember** to rotate the seed shaft while adjusting to prevent damage to cups especially if seeds are in hopper.

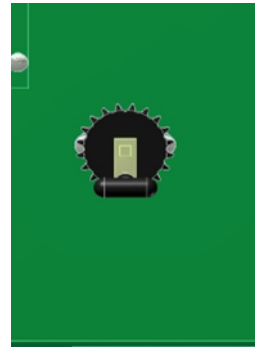
Note: When seed cups are fully closed, the indicator should be on 0 (on the rule). This can be adjusted by simply adjusting the pointer as needed. Fully open would be 1-3/4”.



Precision Legume Hopper:

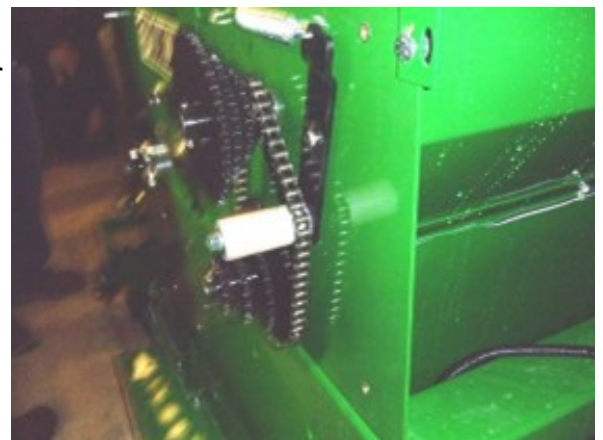
The seed rate adjustment for the small hopper is located on the left side of the hopper behind the panel standing at the rear of the machine. To increase the seed rate, turn the knob on the left side of the hopper **Clockwise**. Refer to the indicator reading on the square seed shaft (right side) and find the corresponding number on the calibration chart in Chart 3 to assure your new rate. Reverse this procedure to decrease rate.

Refer to Chart 3 or 4 on page 14-15 of this manual or the rate chart located inside the hopper lid for the corresponding seeding rate. **Note:** When seed cups are fully closed, the indicator should be on 0 (on the rule). Fully open would be 1-1/8”.



Native Grass Seed Hopper:

Models 600-4 & 840-4 are equipped with three seed boxes. The front seed box has a special agitator shaft for fluffy or chaffy seeds; such as some wildflowers and native grasses. Generally, when planting seed of this type the seed cup gate position should be in the lower position : (third notch).



Seed Rate Adjustment Procedure

Also, the transmission sprockets for the large boxes are equipped with disengaging pins. This allows the operator to disengage either the front box, center box or, if equipped, the combination of both center and rear small boxes. To disengage, pull the spring pin out, rotate 90 degrees to lock. To re-engage, rotate pin 90 degrees to release. Each of the seed boxes can be set at different planting rates and used simultaneously if needed. If not using a large seed box, it should be disengaged to prevent unnecessary wear and tear on components.

Seeds per Seed Box

Legume Seedbox (small hopper):

All small round types seeds that flow easily and are generally planted at a fairly low rate, typically from as low as 3 lbs. per acre to about 65 lbs. per acre. This would include all clover, alfalfa, brassicas and many flowers that have seed counts from about 100,000 seeds/lb to well over 7,000,000 seeds/lb. The seed size diameter would be from about 3/16" (5 mm) to as small as 1/128" (0.019 mm).

Large Seedbox:

All cereal grains, rye, wheat, oats barley and rice. Any seeds that are irregular shaped (elongated, rice shape) but still flow easily should be planted with this box. Most cool season grasses, such as fescue, ryegrass and bluegrass would be planted with this box. All types of beans, peas, corn and sunflowers can be planted with this box. Seed sizes would be from about 3/8" (9.5 mm) elongated up to about 3/8" (9.5 mm) diameter round. Seeding rates are typically from about 25 lbs. per acre to 400 lbs. per acre

Native Grass Seedbox:

Any seed that does not flow well because of chaff, beards, trash, etc should be planted in this box. This includes many annual and perennial warm season native grasses that are very light and fluffy. Any seed type that will not flow easily through your fingers when held apart would need to go in this box. Seeding rates typically are from 8 to 100 lbs. per acre.



Caution: When adjusting seeder shaft on a loaded box, rotate the shaft slowly to prevent cup damage.



Caution: Never allow a rider on the machine for any reason including collecting seeds for calibration purposes. Always affix a container or plastic bag to seed cup spouts or hoses to catch samples. Never place hands in hopper or near agitator shaft while seed shaft is rotating.

Calibration Charts

Calibration Chart Large Seed Hopper

Distribution rate in 'lbs per acre'

** Total material collected from all cups in pounds

** lbs of Seed collect-ed	Distance Traveled in Feet									
	100	200	300	400	500	600	700	800	900	1000
0.1	0.1	8.7	4.4	2.9	2.2	1.8	1.5	1.3	1.1	1
0.5	43	21.8	14.5	10.9	8.7	7.3	6.2	5.5	4.8	4.4
1	87.1	43.6	29	21.8	17.4	14.5	12.5	10.9	9.7	8.7
1.5	130.7	65.3	43.6	32.7	26.1	21.8	18.7	16.3	14.5	13.1
2	174.2	87.1	58.1	43.6	34.8	29	24.9	21.8	19.4	17.4
2.5	217.8	108.9	72.6	54.5	43.6	36.3	31.1	27.2	24.2	21.8
3	261.4	130.7	87.1	65.3	52.3	43.6	37.4	32.7	29	26.1
3.5	304.9	152.5	101.6	76.2	61	50.8	43.6	38.1	33.9	30.5
4	348.4	174.2	116.2	87.1	69.7	58.1	49.8	43.6	38.7	34.8
4.5	392	196	130.7	98	78.4	65.3	56	49	43.6	39.2
5	5	435.6	217.8	145.2	108.9	87.1	72.6	62.3	54.5	48.4
5.5	5.5	479.2	239.6	159.7	119.8	95.8	79.9	68.5	59.9	53.2
6	6	522.7	261.4	174.2	130.7	104.5	87.1	74.7	65.3	58.1
6.5	6.5	566.3	283.1	188.8	141.6	113.2	94.4	80.9	70.8	62.9
7	7	609.8	304.9	203.3	152.5	121.9	101.6	87.2	76.2	67.8
7.5	7.5	653.4	326.7	217.8	163.4	130.7	108.9	93.4	81.7	72.6
8	8	696.9	348.5	232.3	174.2	139.4	116.2	99.6	87.1	77.4
8.5	8.5	740.5	370.3	246.8	185.1	148.1	123.4	105.8	92.6	82.3
9	9	784	392	261.4	196	156.8	130.7	112.1	98	87.1
9.5	9.5	827.6	413.8	275.9	206.9	165.5	137.9	118.3	103.5	92
10	10	871.2	435.6	290.4	217.8	174.2	145.2	124.5	108.9	96.8

Note: Measure actual shaft movement from closed position for a more accurate seeder opening setting.

Calibration Charts

Calibration Chart - Large Hopper - Chart 2

Seed Cup Position

Seed Type	1/4	1/2	3/4	1	1-1/4	1-1/2	1-3/4	Gate Pos.
Kentucky 31 Tall Fescue	18	34	45	58	70	84	98	top
Annual Rye Grass	26	45	59	79	97	112	122	top
Kentucky Blue Grass	15	24	32	44	52	63	73	top
Perennial Rye Grass	24	38	51	69	84	101	107	top
Creeping Red Fescue	13	22	29	41	49	59	66	top
Rebel III Fescue	17	29	38	61	73	87	98	top
Pennington Contractor's Mix	20	31	42	60	73	87	97	top
Orchard Grass	10	17	23	35	43	50	55	top
Wheat	49	84	115	143	168	197	220	top
Oats	20	41	63	87	109	125	142	top
Fertilizer 10-10-10	59	101	133	198	245	287	315	middle
Top Dress 16-0-0	70	122	164	245	301	357	458	top

Calibration Chart - Small Hopper - Chart 3

"lbs. per acre"

Seed Type	3/16	1/4	3/8	1/2	3/4	1	1-1/8
Pennsicola Bahai	3	6	8	11	14	20	22
Centipede	4	6	10	15	23	29	34
Hulled Bermuda	4	7	11	16	24	32	37
Red Clover	5	8	13	17	29	37	45
Landino Clover	4	7	13	17	27	36	42
Dixie Crimson	5	8	13	17	29	37	45
White Millet	3	8	13	17	28	36	43
Total Alfalfa	5	8	13	16	27	35	41
Carpet Grass	3	6	9	16	20	25	30
Tiffany Teff	5	7	14	18	29	36	40
Buffalo Grass	-	3	4	6	8	11	13

Calibration Charts

Calibration Chart - Small Hopper - Chart 4

"lbs. per acre"

Seed Type	Flute Engagement						
	3/16	1/4	3/8	1/2	3/4	1	1-1/8
Sorghum	6	11	15	22	31	38	51
Kobe Lespedza	3	4	6	11	15	17	20
Korean Lespedza	4	6	10	16	24	29	35
Bi-Color Lespedza	7	12	16	22	32	43	50
Brown Top Millet	5	7	13	15	22	27	31
Japanese Millet	4	6	10	15	20	24	26
Hybrid Pearl Millet	8	13	17	22	35	48	55
Rape	6	9	12	17	29	40	55
Switchgrass	6	9	12	15	21	26	28

Calibration Chart - Native Grass Hopper - Chart 5

Sprocket Positions

Sprocket Drive Upper	15	20	30	40
Sprocket Drive Lower	40	30	20	15
Seed Variety	"lbs. per acre"			
Little Blue Stem	8	14	32	58
Virginia Wild Rye	12	20	46	82
Big Blue Stem	6	11	27	46
Native River Oats	9	16	37	65
Indian Grass	12	34	78	138
Native Side Oats Gamma	8	14	33	58

Calibration Chart - Large Hopper - Chart 6

Seed Cup Position (lbs per acre)

Seed Type	1/4	1/2	3/4	1	1-1/4	1-1/2	1-3/4	Gate Pos.
Barley	-	80	116	155	193	217	253	top
Wheatgrass	-	80	114	154	190	214	250	top
Soybeans	-	100	165	205	245	288	327	top
Sunflower	-	33	45	58	70	85	100	top
Corn	-	112	198	238	298	360	418	middle

Troubleshooting






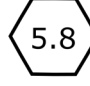
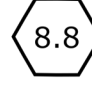
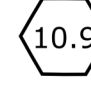
Caution: Turn off tractor engine, lock parking brake and remove key before servicing machine.

Problem	Cause	Solution
	Loose chains	Tighten idlers
Machine makes a clicking or popping noise	Chain stretched or damaged	Replace chain
	Sprocket tooth damaged or broken	Replace sprocket
Crop residue is dragging or rolling up	Tickler tines set too aggressive	Loosen U-bolts and or rotate forward to raise tips off the ground
Seed flow continuing when machine is lifted	Rollers free spinning	Stop forward movement before raising machine

Lubrication & Maintenance

- 1 Hour** Check all fasteners and hardware including set screws in sprockets and bearing collars and retighten as necessary.
- 8 Hours** Grease bearings and inspect chains for tightness.
- 25 Hours multi-** Remove guard cover on right hand side of machine and inspect chain; lubricate using purpose lithium base grease.
- As needed:** Remove any crop residue, grasses, weeds, or debris wrapped around shafts near bearings.
This can cause bearings to overheat and lead to premature failure.
- Always:** Protect machine from weather. **Never** leave fertilizer in hopper. Do not leave seed in hopper for more than 24 hours. Remove all fertilizer and seeds and thoroughly clean hoppers and lubricate all drive chains before storage.

Torque Specifications

Torque Specifications for Common Bolt Sizes															
Inches		Bolt Head Identification						Metric		Bolt Head Identification					
															
Bolt size (inches)	Thread pitch	Grade 2		Grade 5		Grade 8		Bolt size (metric)	Thread pitch	Class 5.8		Class 8.8		Class 10.9	
		N.m	ft-lb	N.m	ft-lb	N.m	ft-lb			N.m	ft-lb	N.m	ft-lb	N.m	ft-lb
1/4"	20	7	5	11	8	16	12	M5	0.08	4	3	6	4	9	7
1/4"	28	8	6	13	10	19	14	M6	1	6	4	10	7	15	11
5/16"	18	15	11	24	17	33	25	M8	1.25	16	12	25	18	36	27
5/16"	24	17	13	26	19	37	27	M8	1	17	13	26	19	38	28
3/8"	16	27	20	42	31	59	44	M10	1.5	31	23	48	35	71	52
3/8"	24	31	23	47	35	67	49	M10	1.25	33	24	51	38	75	55
7/16"	14	43	32	67	49	95	70	M10	1	35	26	53	39	78	58
7/16"	20	48	36	75	55	106	78	M12	1.75	54	40	84	62	123	91
1/2"	13	66	48	102	75	144	106	M12	1.5	56	41	87	64	128	94
1/2"	20	75	55	115	85	163	120	M12	1.25	59	44	90	66	133	98
9/16"	12	95	70	147	109	208	154	M14	2	84	62	133	98	195	144
9/16"	18	106	79	164	121	232	171	M14	1.5	94	69	142	105	209	154
5/8"	11	132	97	203	150	287	212	M16	2	131	97	206	152	302	223
5/8"	18	149	110	230	170	325	240	M16	1.5	141	104	218	161	320	236
3/4"	10	233	172	361	266	509	376	M18	2.5	181	133	295	218	421	310
3/4"	16	261	192	403	297	569	420	M18	2	196	145	311	229	443	327
7/8"	9	226	167	582	430	822	606	M18	1.5	203	150	327	241	465	343
7/8"	14	249	184	642	473	906	668	M20	2.5	256	189	415	306	592	437
1"	8	339	250	873	644	1232	909	M20	1.5	288	212	454	335	646	476
1"	12	371	273	955	704	1348	995	M22	2.5	344	254	567	418	807	595
1-1/8"	7	480	354	1077	794	1746	1288	M22	1.5	381	281	613	452	873	644
1-1/8"	12	539	397	1208	891	1958	1445	M24	3	444	327	714	526	1017	750
1-1/4"	7	677	500	1519	1120	2463	1817	M24	2	488	360	769	567	1095	808
1-1/4"	12	750	553	1682	1241	2728	2012	M27	3	656	484	1050	774	1496	1103
1-3/8"	6	888	655	1992	1469	3230	2382	M27	2	719	530	1119	825	1594	1176
1-3/8"	12	1011	746	2268	1673	3677	2712	M30	3.5	906	668	1420	1047	2033	1499
1-1/2"	6	1179	869	2643	1949	4286	3161	M30	2	1000	738	1600	1180	2250	1659
1-1/2"	12	1326	978	2974	2194	4823	3557	M36	4	1534	1131	2482	1830	3535	2607

Notes:

This chart is an approximate estimate of torque values.

Always tighten hardware to these values unless a different torque value or tightening procedure is listed for a specific application.

Fasteners must always be replaced with the same grade as specified in the manual.

Always use the proper tool for tightening hardware: SAE for SAE hardware and Metric for Metric hardware.

Make sure that fastener threads are clean and that you properly start thread engagement.

Page left blank intentionally

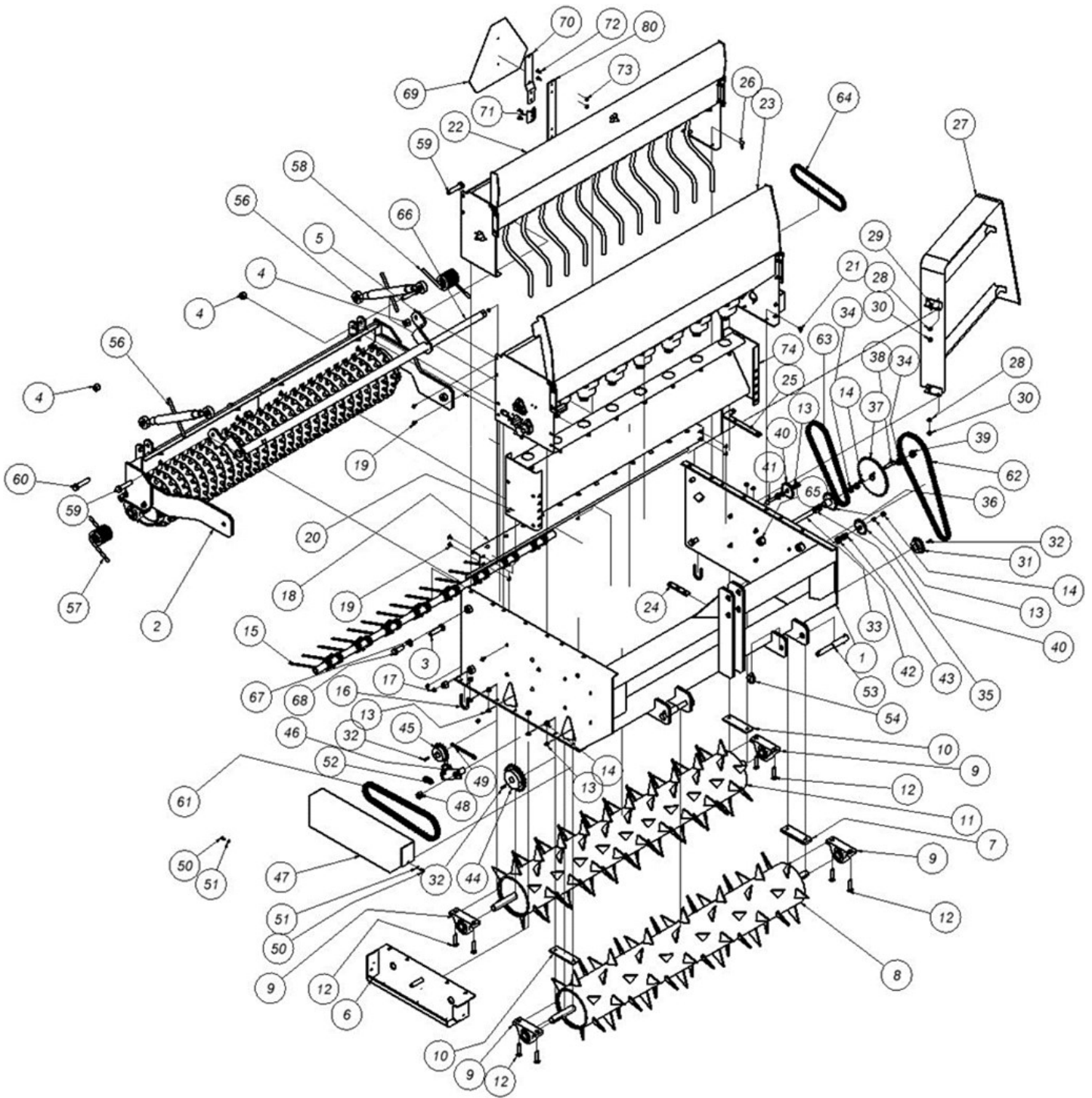
BELC **RESOURCES EQUIPMENT**

Conservation Seeder Greenscape 600 & 840



Parts Manual

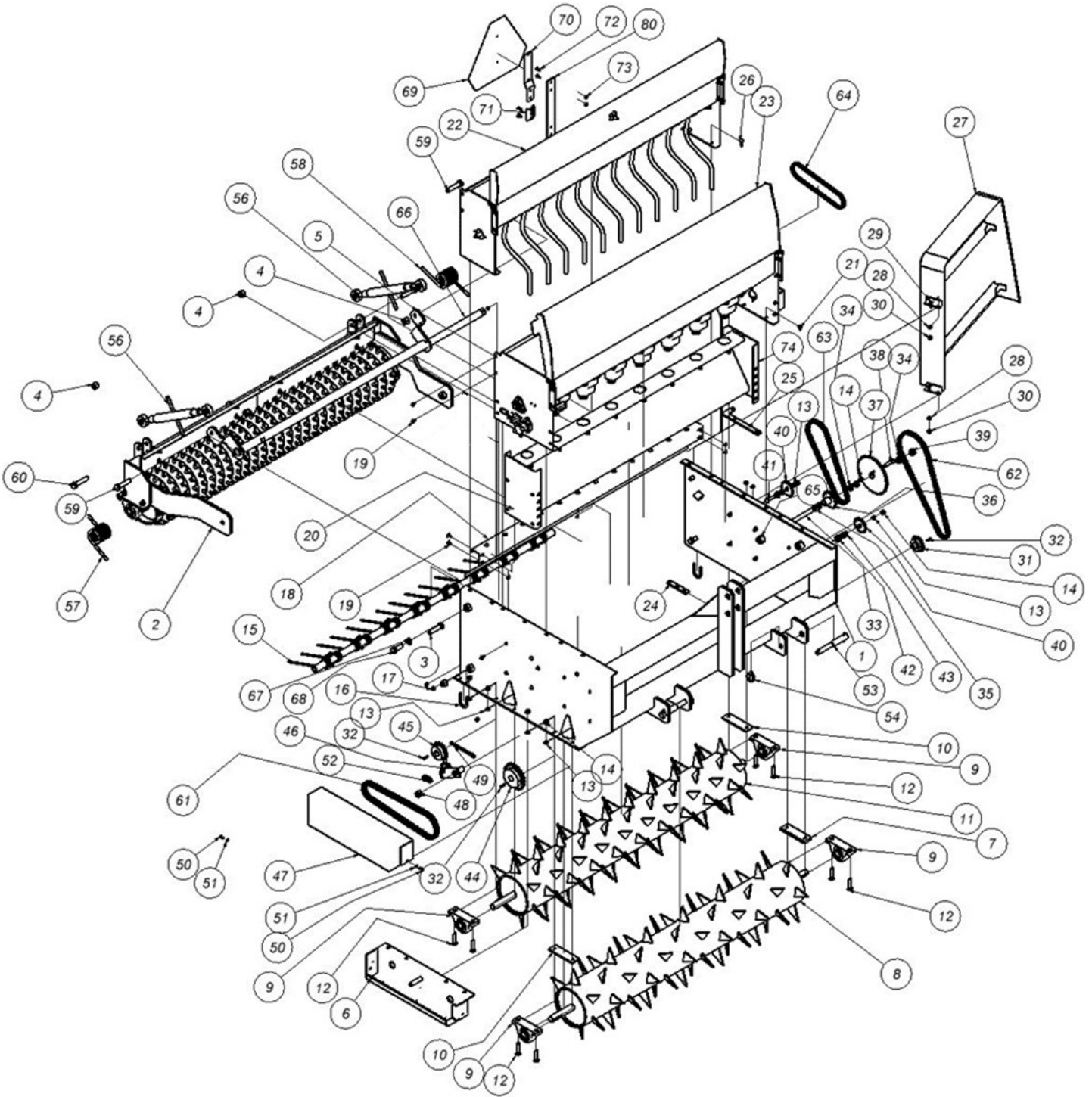
Main Frame - Greenscape 600



Main Frame - Greenscape 600

Item	Part #	Description	Qty.
1	SB100669	Main frame weldment	1
2	SB100704	Cultipacker assembly nylon 5'	1
3	SB500136	Bolt HH 3/4-10X3 Gr. 5	2
4	SB500113	Nut, nylock 3/4-10 Gr. 5	6
5	SB100707	Torque arm weldment	1
6	SB100667	Chain guard weldment	1
7	SB100383	Front roller bearing spacer 1/2"	1
8	SB100390	Front spike roller	1
9	SB100497	Pillow block bearing NAP207-20	4
10	SB100728	Front roller bearing spacer 1/4"	2
11	SB100671	Rear spike roller	1
12	SB500138	Bolt carriage 1/2-13X2 1/2 Gr. 5	9
13	SB500073	Washer lock 1/2"	10
14	SB500104	Nut HH 1/2-13 Gr. 5	11
15	SB100723	Tine bar assembly 5'	1
16	SB100729	Tine bar U-BOLT	2
17	SB500132	Nut flange 3/8-16 Gr. 5	21
18	SB100730	Small seed pan weldment	1
19	SB500116	Bolt carriage 5/16-18X3/4" Gr. 5	8
20	SB500121	Nut flange 5/16-18 GR. 5	8
21	SB500139	Bolt carriage 3/8-16X3/4 Gr.5	14
22	SB100712	Small hopper assembly 5'	1
23	SB100637	Large hopper assembly 5'	1
24	SB100648	Plate lower hinge guard	1
25	SB100373	Clip lower chain guard	1
26	SB500140	Bolt carriage 3/8-16X1 1/4 Gr. 5	2
27	SB100655	Chain guard panel weldment	1
	SB100672S	Chain guard panel weldment (3 box config.)	1
28	SB100732	Washer plastic 3/8"	2
29	SB500131	Bolt HH 3/8-16X1 Gr. 5	2
30	SB500110	Nut nylock 3/8-16 Gr.5	2
31	SB100733	Sprocket 50BS15H (1 1/4" bore)	1
32	SB100693	Key 1/4" x 1"	3
33	SB100742	Guide shaft	1
34	SB100741	IGUS Bearing MFI 1216-08	4
35	SB100743	IGUS Thrust washer MTI-12	1
36	SB100739	Small sprocket weldment	1
37	SB100740	Large sprocket weldment	1

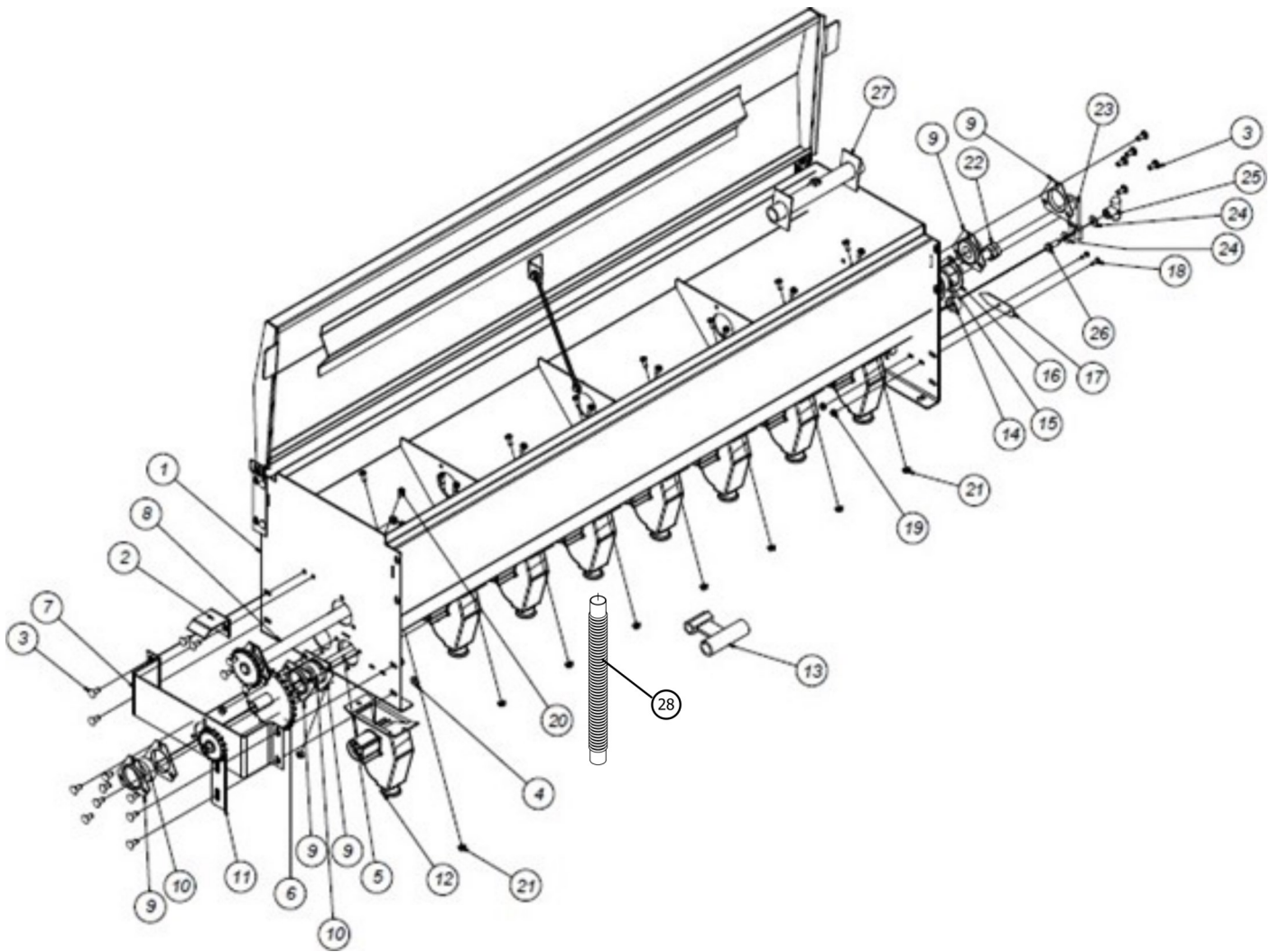
Main Frame - Greenscape 600



Main Frame - Greenscape 600

Item	Part #	Description	Qty.
38	SB100736	Threaded locking pin	1
39	SB100744	Shaft collar 3/4" bore	1
40	SB100745	Idler sprocket 50BB15Hx1/2"	2
41	SB500133	Bolt carriage 1/2-13x2 Gr. 5	1
42	SB500057	Washer flat 5/8"	2
43	SB500055	Washer flat 1/2"	5
44	SB100746	Sprocket 60BS22H (1 1/4" bore)	1
45	SB100747	Sprocket 60BS15H (1 1/4" bore)	1
46	SB100752	Idler assembly drive	1
47	SB100666	Cover lower chain guard weldment	1
48	SB500143	Nut prevailing torque 3/4-10 Gr. 5	1
49	SB100751	Spring tensioner rod weldment	1
50	SB500118	Bolt HH 1/4-20x3/4 Gr. 5	2
51	SB500069	Washer lock 1/4"	2
52	SB100753	Idler tension spring	1
53	SB100755	Hitch pin assembly	2
54	SB100756	Lynch pin 7/16x1 3/4	2
55	-	-	-
56	SB100757	Adjustable rear arm	2
57	SB100720	Torque bar spring RH	1
58	SB100721	Torque bar spring LH	1
59	SB500142	Bolt HH 3/4-10x3 1/4 Gr. 5	2
60	SB500126	Bolt HH 3/4-10x3 1/2 Gr. 5	2
61	SB10000002	Roller chain # 60 H x 30 links	1
62	SB10000003	Roller chain #50 X 40 links	1
63	SB10000004	Roller chain # 50 X 31 links	1
64	SB10000005	Roller chain # 40 X 37 links	1
65	SB500164	Set screw 3/8-16X1/2	2
66	SB101179	Torque tube inner weldment	1
67	SB500076	Washer lock 3/4"	2
68	SB500252	Bolt HH 3/4-10x2 Gr. 5	2
69	SB101180	SMV emblem	1
70	SB101181	SMV offset emblem	1
71	SB101182	SMV mounting bracket	1
72	SB500169	Bolt HH 5/16-18x3/4 Gr. 5	4
73	SB500117	Nut HH 5/16-18 Gr.5	4
74	SB101407	Seed pan weldment large 5'	1
80	SB101599	SMV mounting strap	1

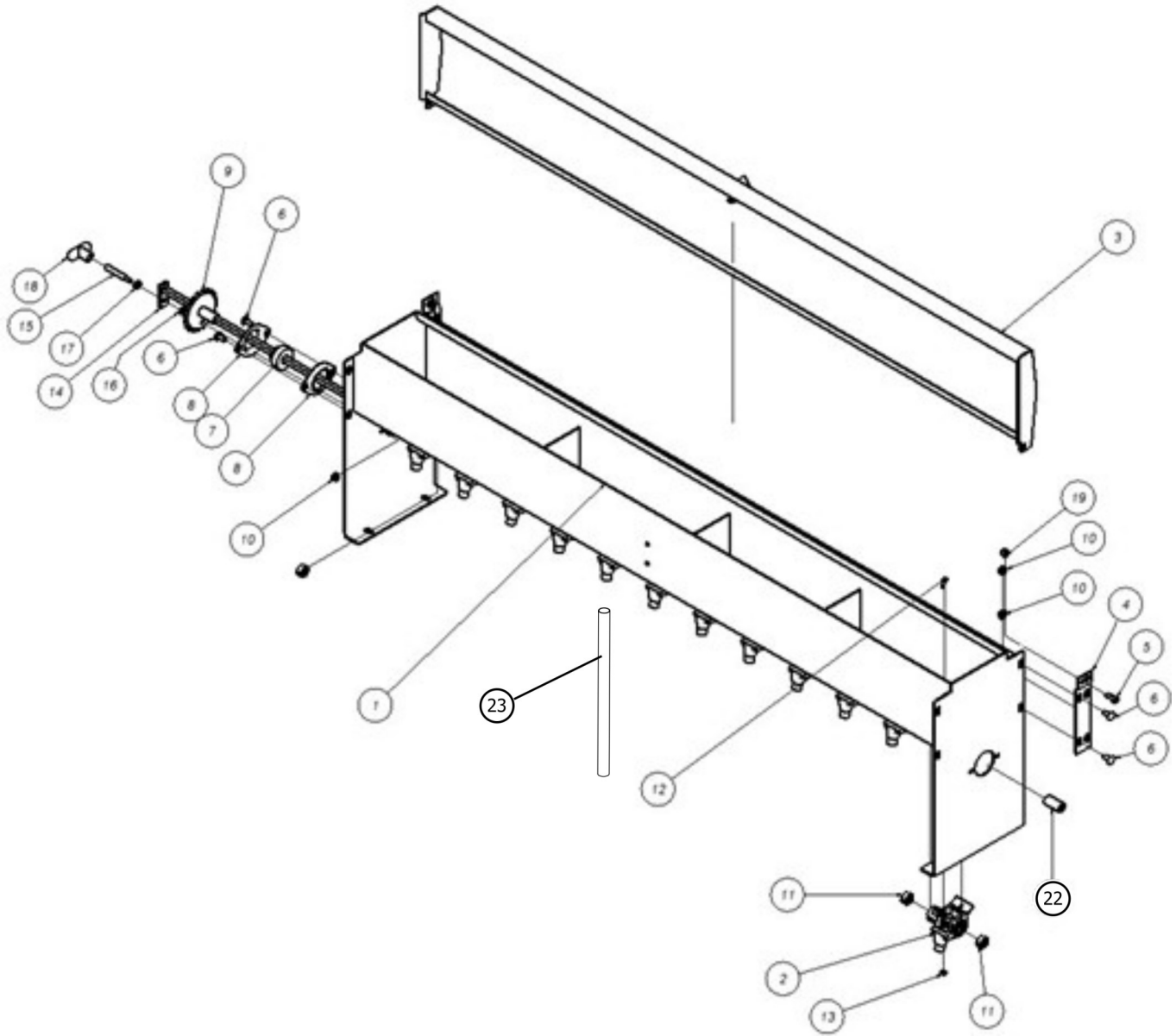
Large Grass Seed Box - Greenscape 600



Large Grass Seed Box - Greenscape 600

Item	Part #	Description	Qty.
1	SB100635	Large hopper w/lid assembly	1
2	SB100592	Guard mounting clip	1
3	SB500116	Bolt carriage 5/16-18x3/4" Gr. 2	20
4	SB500121	Nut flange 5/16-18 Gr. 2	20
5	SB100621	Drive shaft large hopper	1
6	SB100633	Drive assembly weldment	1
7	SB100588	Outboard bracket	1
8	SB126476	Agitator shaft weldment	1
9	SB100639	3 Hole triangular bearing flange 52MSTR	3
10	SB100640	Bearing insert SB205-16	3
11	SB100636	Idler sprocket assembly	1
12	SB100644	Large hopper seed cup assembly	8
13	SB100628	Feed shaft adjuster	1
14	SB100476	Collar feed shaft	14
15	SB100646	Bearing insert SB204-12	1
16	SB100647	2 Hole bearing flange 47MSTZ9	1
17	SB100593	Pointer feed shaft	1
18	SB500122	Machine screw truss head phillips 10-24x5/8 Gr. 5	2
19	SB500123	NUT, FLANGE #10-24 GR. 2	2
20	SB500124	Machine screw truss head Phillips 1/4-20x5/8 Gr. 5	16
21	SB500125	Nut flange 1/4-20 Gr. 2	16
22	SB500127	Nut jam 3/4-10 Gr. 2	2
23	SB101751	Adjustment rod weldment 5'	1
24	SB100732	Washer plastic 3/8"	2
25	SB101287	Adjustment knob	1
26	SB500131	Bolt HH 3/8-16x1 Gr. 5	1
27	SB101357	Agitator weldment small 7'	4
28	SB1000001	Hose, Large Hopper 600	8

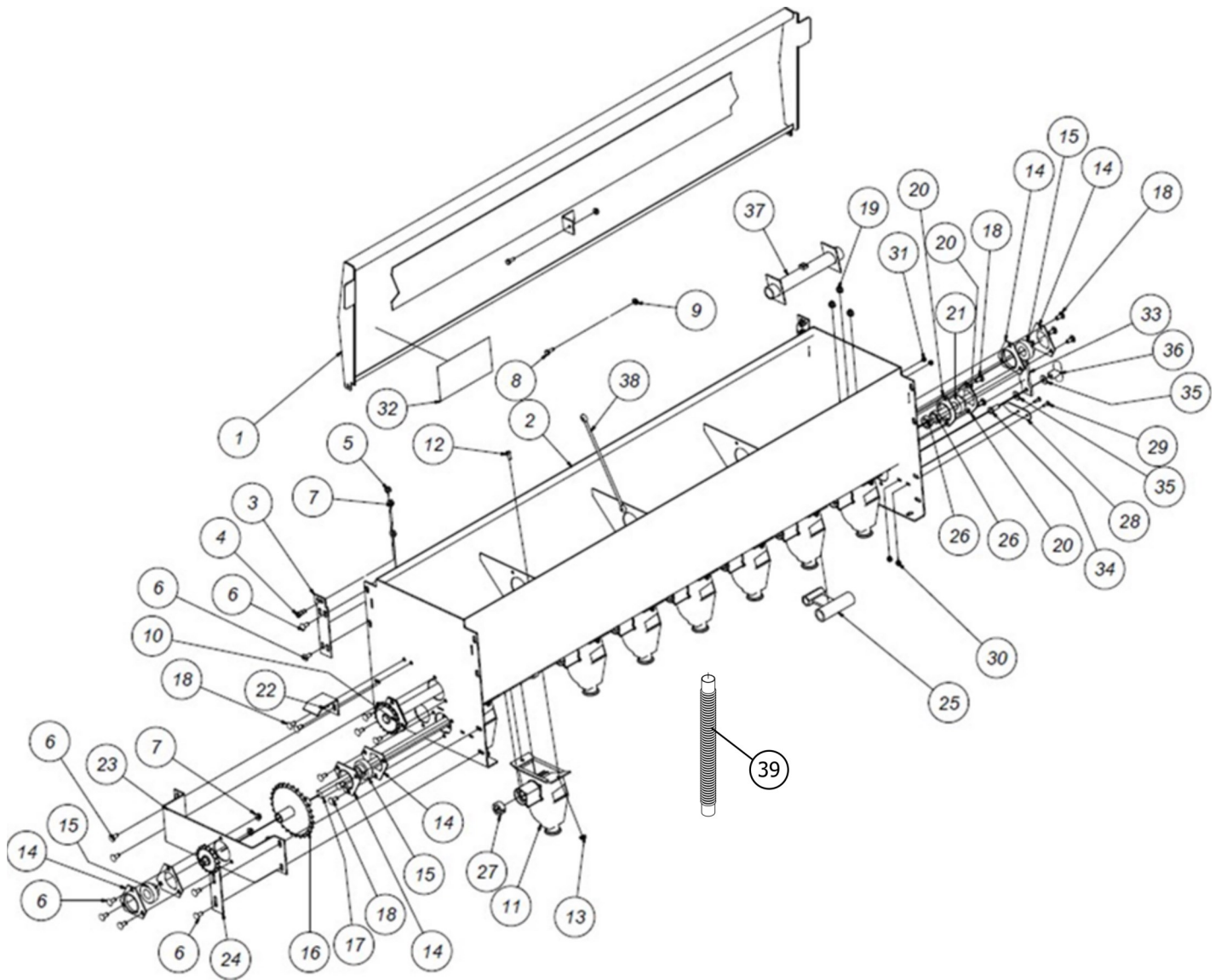
Precision Legume Seed Box - Greenscape 600



Precision Legume Seed Box - Greenscape 600

Item	Part #	Description	Qty.
1	SB100481	Small hopper base assembly	1
2	SB100711	Small seed cup assembly	12
3	SB100668	Small hopper lid weldment	1
4	SB100289	Universal lid mounting plate	2
5	SB500120	Bolt shoulder 5/16-18	2
6	SB500116	Bolt carriage 5/16-18x3/4" Gr. 5	6
7	SB100646	Bearing insert SB204-12	1
8	SB100647	2 Hole bearing flange 47MSTZ9	2
9	SB100718	Small hopper drive sprocket weldment	1
10	SB500121	Nut flange 5/16-18 Gr. 5	6
11	SB100719	Collar feed shaft small hopper	24
12	SB500122	Machine screw truss head Phillips 10-24x5/8 Gr. 5	24
13	SB500123	Nut flange #10-24 Gr. 5	24
14	SB101283	Driveshaft weldment small hopper	1
15	SB101284	Threader rod w/shoulder	1
16	SB101286	Retainer clip	1
17	SB500186	Nut ham 3/8-16 Gr. 5	1
18	SB101287	Adjustment knob	1
19	SB500163	Nut nylock 5/16-18 Gr. 5	2
20	SB100617	Small pull handle	1
21	SB500110	Lock nut	1
22	SB101607	Spacer small decal "Scale"	1
23	SB10000000	Hose, small hopper 600 & 840	-

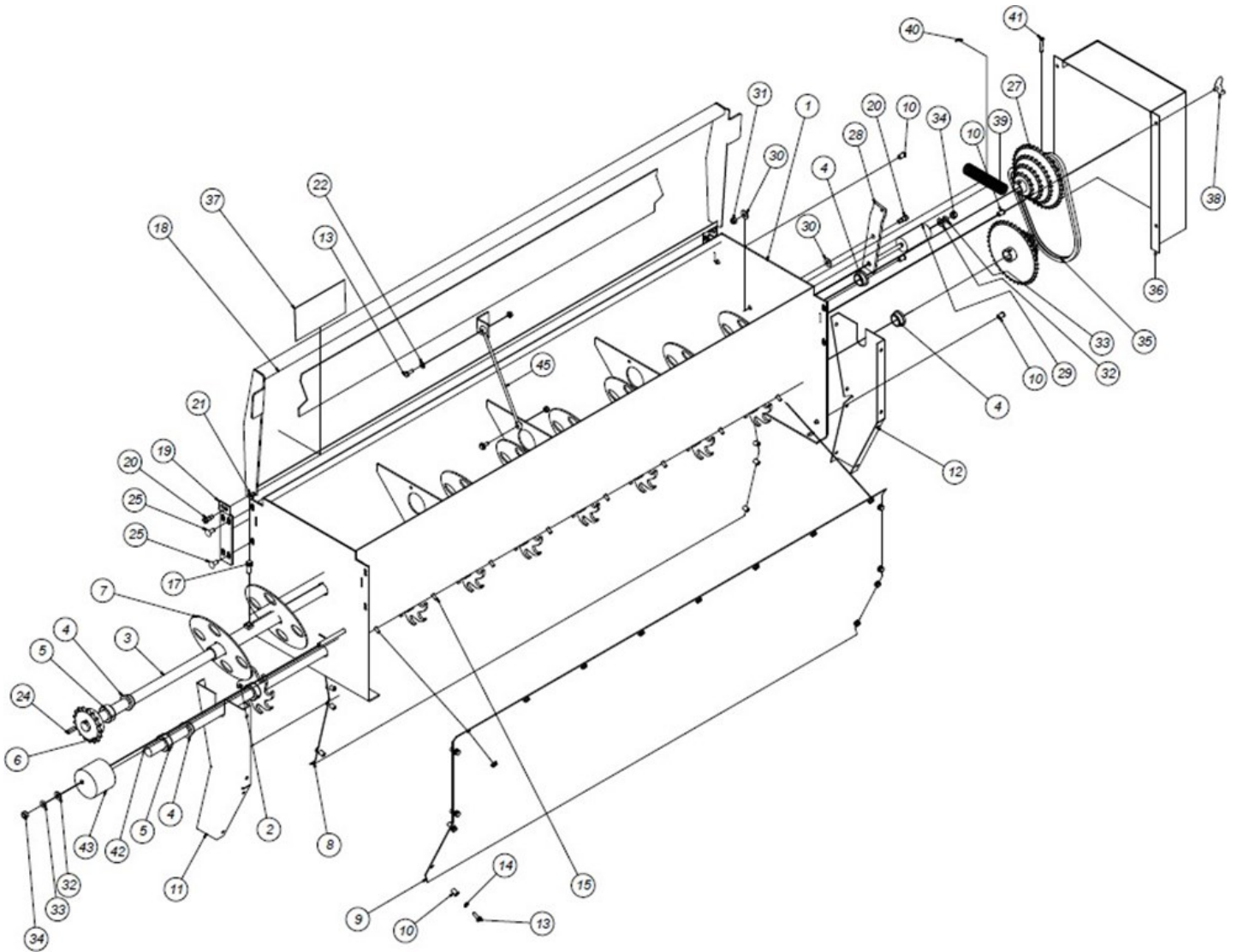
Fertilizer Hopper - Greenscape 600



Fertilizer Hopper - Greenscape 600

Item	Part #	Description	Qty.
1	SB101540	Fertilizer lid weldment 5'	1
2	SB101533	Fertilizer lid weldment hopper 5'	1
3	SB101543	Lid mounting plate stainless	2
4	SB500120	Bolt shoulder 5/16-18	2
5	SB500163	Nut nylock 5/16-18 Gr. 2	2
6	SB500116	Bolt carriage 5/16-18x3/4" Gr. 2	11
7	SB500121	Nut flange 5/16-18 Gr. 2	11
8	SB500458	Bolt HH 1/4-20x3/4 18-8 stainless	2
9	SB500459	Nut flange 1/4-20 18-8 stainless	2
10	SB126478	Stainless agitator shaft weldment	1
11	SB101549	Fertilizer seed cup assembly	8
12	SB500166	Machine screw truss head Phillips 1/4-20x5/8 stainless	16
13	SB500167	Nut flange 1/4-20 stainless	16
14	SB100639	3 Hole triangular bearing flange 52MSTR	6
15	SB100640	Bearing insert SB205-16	3
16	SB100633	Drive assembly weldment	1
17	SB100621	Drive shaft large hopper	1
18	SB500461	Bolt carriage 5/16-18x3/4" 18-8 stainless	13
19	SB500462	Nut flange 5/16-18 18-8 stainless	13
20	SB100647	2 Hole bearing flange 47MSTZ9	2
21	SB100646	Bearing insert SB204-12	1
22	SB100592	Guard mounting clip	1
23	SB100588	Outboard bracket	1
24	SB100636	Idler sprocket assembly	1
25	SB100628	Feed shaft adjuster	1
26	SB500127	Nut jam 3/4-10 Gr. 2	2
27	SB100476	Collar feed shaft	14
28	SB100593	Pointer feed shaft	1
29	SB500122	Machine screw truss head Phillips 10-24x5/8 Gr. 5	2
30	SB500123	Nut flange #10-24 Gr. 2	2
31	SB100913	Plug plastic 11/32 hole (9688K241)	2
32	SB101600	Decal Warning "Chemical"	1
33	SB101751	Adjustment rod weldment 5'	1
34	SB500131	Bolt, HH 3/8-16x1 Gr. 5	1
35	SB100732	Washer plastic 3/8"	2
36	SB101287	Adjustment knob	1
37	SB101564	Stainless agitator weldment small 7'	4
38	SB117496	Lid cable	1
39	SB1000001	Hose, Large Hopper 600	8

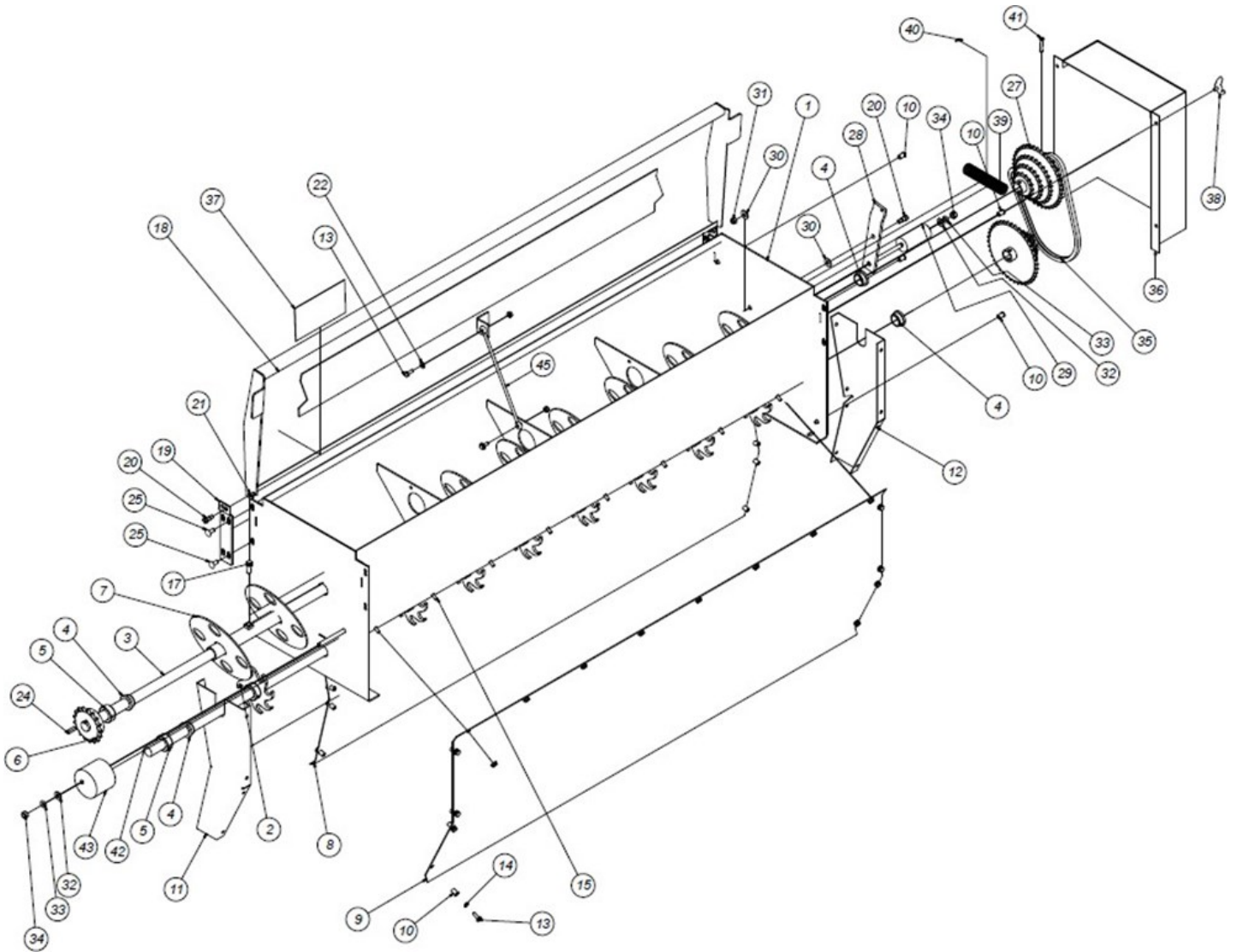
Native Grass Seed Box - Greenscape 600



Native Grass Seed Box - Greenscape 600

Item	Part #	Description	Qty.
1	SB100687	Native grass hopper weldment	1
2	SB100689	Spur gear weldment native grass	8
3	SB100680	Native grass picker wheel shaft	1
4	SB100691	IGUS bearing MFI1620-10	4
5	SB100690	Shaft collar 1" bore	2
6	SB100692	Sprocket 50BS17H (1" bore)	1
7	SB100686	Agitator weldment native grass	4
8	SB100366	Sheet metal side front	1
9	SB100367	Sheet metal side rear	1
10	SB100534	Knurled insert 1/4-20	20
11	SB100369	End cap RH	1
12	SB100368	End cap LH	1
13	SB500118	Bolt HH 1/4-20x3/4 Gr. 5	18
14	SB500069	Washer lock 1/4"	18
15	SB500124	Machine screw truss head 1/4-20x5/8 Gr. 5	16
16	SB500125	Nut flange 1/4-20 Gr. 2	16
17	SB500131	Bolt HH 3/8-16x1 Gr. 5	1
18	SB100626	Large hopper lid assembly	1
19	SB100289	Universal lid mounting plate	2
20	SB500120	Shoulder bolt 5/16-18	3
21	SB500117	Nut hex 5/16-18 Gr.2	2
22	SB500051	Washer flat 1/4"	2
23	SB500119	Nut HH 1/4-20 Gr. 2	2
24	SB100693	Key 1/4"x1"	1
25	SB500116	Bolt carriage 5/16-18x3/4" Gr. 2	4
26	SB500121	Nut flange 5/16-18 Gr. 2	4
27	SB101465	Drive sprocket weldment	2
28	SB101578	Idler bracket weldment native grass	1
29	SB101580	UHMW idler native grass	1
30	SB100732	Washer plastic 3/8"	2
31	SB500163	Nut nylock 5/16-18 Gr. 2	1
32	SB500053	Washer flat 3/8"	2
33	SB500071	Washer lock 3/8"	2
34	SB500115	Nut HH 3/8-16 Gr.2	2
35	SB10000205	Roller chain #40 x 62 links	1
36	SB101583	Cover panel weldment native grass	1
37	SB101597	Decal "Calibration Native Grass"	1
38	SB500465	Winged thumb screw 1/4-20x1/2	4

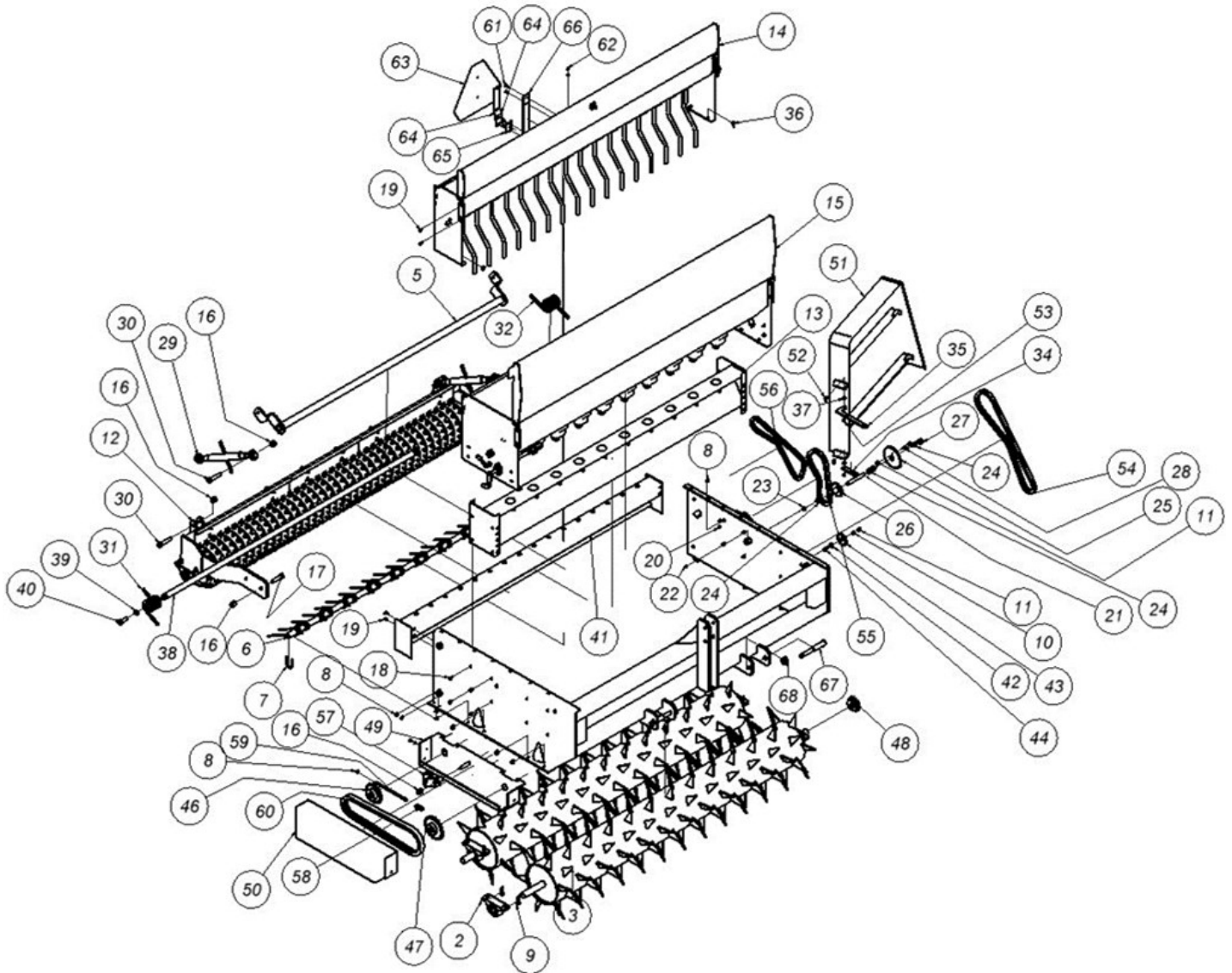
Native Grass Seed Box - Greenscape 600



Native Grass Seed Box - Greenscape 600

Item	Part #	Description	Qty.
39	SB101606	Spring native grass idler	1
40	SB500467	Cotter pin 1/16x1/2	2
41	SB500466	Clevis pin 1/4x1-3/8	2
42	SB100681	Native grass agitator shaft	1
43	SB101470	UHMW idler block	1
44	SB500221	Bolt HH 3/8-16x3 1/2 Gr. 5	1
45	SB117496	Lid cable	1

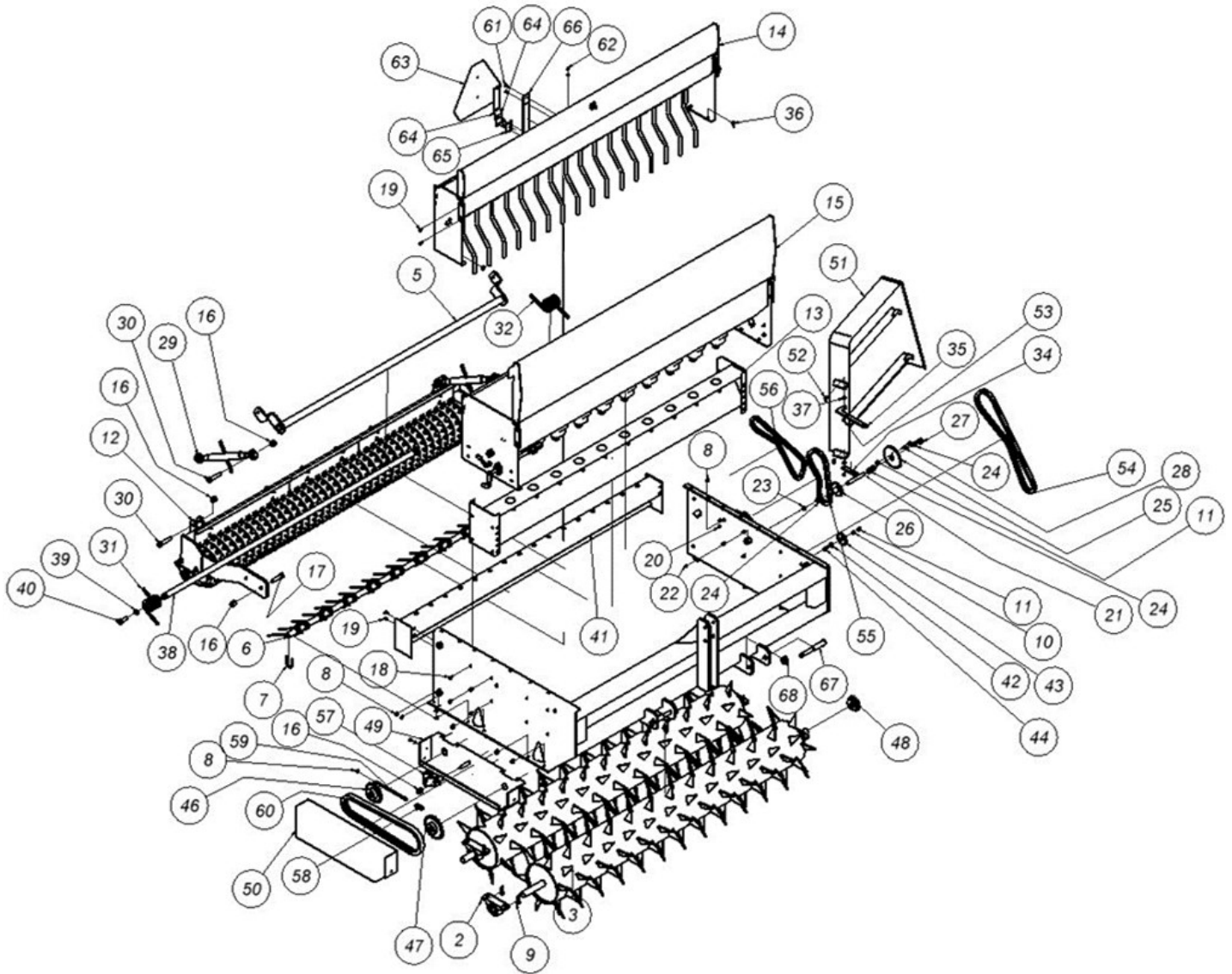
Main Frame - Greenscape 840



Main Frame - Greenscape 840

Item	Part #	Description	Qty.
1	SB101149	7' Main frame weldment	1
2	SB101153	Pillow block bearing NAPL-208D-24	4
3	SB101146	7' Front roller weldment	1
4	SB101148	7' Rear spike roller weldment	1
5	SB101161	7' Torque arm weldment	1
6	SB101165	7' Tine bar assembly	1
7	SB100729	Tine bar U-Bolt	2
8	SB500132	Nut flange 3/8-16 Gr. 5	23
9	SB500133	Bolt carriage 1/2-13x2 Gr. 5	8
10	SB500073	Washer lock 1/2"	10
11	SB500104	Nut HH 1/2-13 Gr. 5	11
12	SB101167	7' Cultipacker assembly nylon	1
13	SB101316	Large seed pan weldment 7'	1
14	SB101329	Small hopper assembly 7'	1
15	SB101330	Lager hopper assembly 7'	1
16	SB500113	Nut nylock 3/4-10 Gr. 5	7
17	SB500136	Bolt HH 3/4-10x3 Gr. 5	2
18	SB500139	Bolt carriage 3/8-16x3/4 Gr.5	16
19	SB500116	Bolt carriage 5/16-18x3/4" Gr. 5	8
20	SB500121	Nut flange 5/16-18 Gr. 5	8
21	SB100742	Guide shaft	1
22	SB500164	Set screw 3/8-16x1/2	2
23	SB100743	IGUS thrust washer MTI-12	1
24	SB100741	IGUS bearing MFI 1216-08	4
25	SB101576	Transmission sprocket weldment large 7'	1
26	SB100739	Small sprocket weldment	1
27	SB100744	Shaft collar 3/4" bore	1
28	SB100736	Threaded locking pin	1
29	SB100757	Adjustable rear arm	2
30	SB500126	Bolt HH 3/4-10x3 1/2 Gr. 5	4
31	SB100720	Torque bar spring RH	1
32	SB100721	Torque bar spring LH	1
33	SB100913	Plug plastic 11/32 hole	2
34	SB100648	Plate lower hinge guard	1
35	SB100373	Clip lower chain guard	1
36	SB500140	Bolt carriage 3/8-16x1 1/4 Gr. 5	2
37	SB100732	Washer plastic 3/8"	2

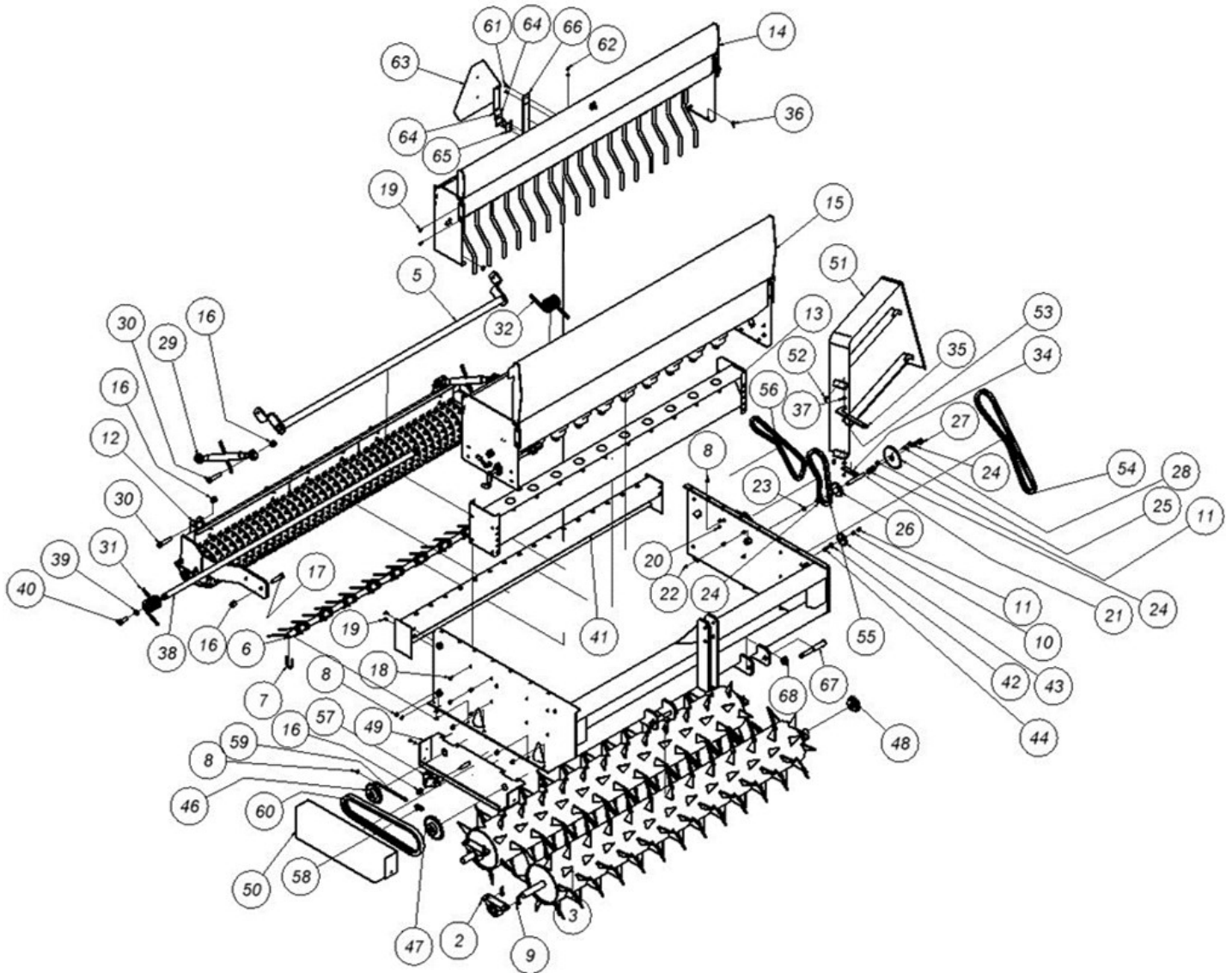
Main Frame - Greenscape 840



Main Frame - Greenscape 840

Item	Part #	Description	Qty.
38	SB101183	Torque tube inner weldment 7'	1
39	SB500076	Washer lock 3/4"	2
40	SB500252	Bolt HH 3/4-10x2 Gr. 5	2
41	SB101319	Small seed pan weldment 7'	1
42	SB500057	Washer flat 5/8"	2
43	SB100745	Idler sprocket 50BB15Hx1/2"	2
44	SB500313	Bolt carriage 1/2-13x1 1/2 Gr. 5	2
45	-	-	-
46	SB101360	Sprocket 80BS15 x 1-1/2	1
47	SB102009	Sprocket 80BS18 (1-1/2 bore)	1
48	SB101572	Sprocket 50BS17 (1-1/2 bore)	1
49	SB101364	Chain guard weldment 7'	1
50	SB101368	Chain guard cover panel weldment 7'	1
51	SB101370	Side cover panel weldment 7'	1
	SB101471S	Side cover panel weldment 7' (3 box config.)	1
52	SB500131	Bolt HH 3/8-16x1 Gr. 5	2
53	SB500110	Nut nylock 3/8-16 Gr.5	2
54	SB10000199	Roller chain #50 x 100 links (main drive)	1
55	SB10000201	Roller chain #50 x 53 links (large hopper)	1
56	SB10000202	Roller chain #40 x 89 links (small hopper)	1
57	SB101375	Idler assembly chain drive 7'	1
58	SB100753-A	Idler tension spring	1
59	SB101574	Idler tensioner rod weldment	1
60	SB10000203	Roller chain #80 x 61 links (chain guard)	1
61	SB500169	Bolt HH 5/16-18x3/4 Gr. 5	6
62	SB500117	Nut HH 5/16-18 Gr.5	4
63	SB101180	SMV emblem	1
64	SB101181	SMV offset bracket	1
65	SB101182	SMV mounting bracket	1
66	SB101599	SMV mounting strap	1
67	SB100755	Hitch pin assembly	2
68	SB100756	Lynch pin 7/16 x 1 3/4	2
69	SB500070	Washer lock 5/16"	2

Large Grass Seed Box - Greenscape 840

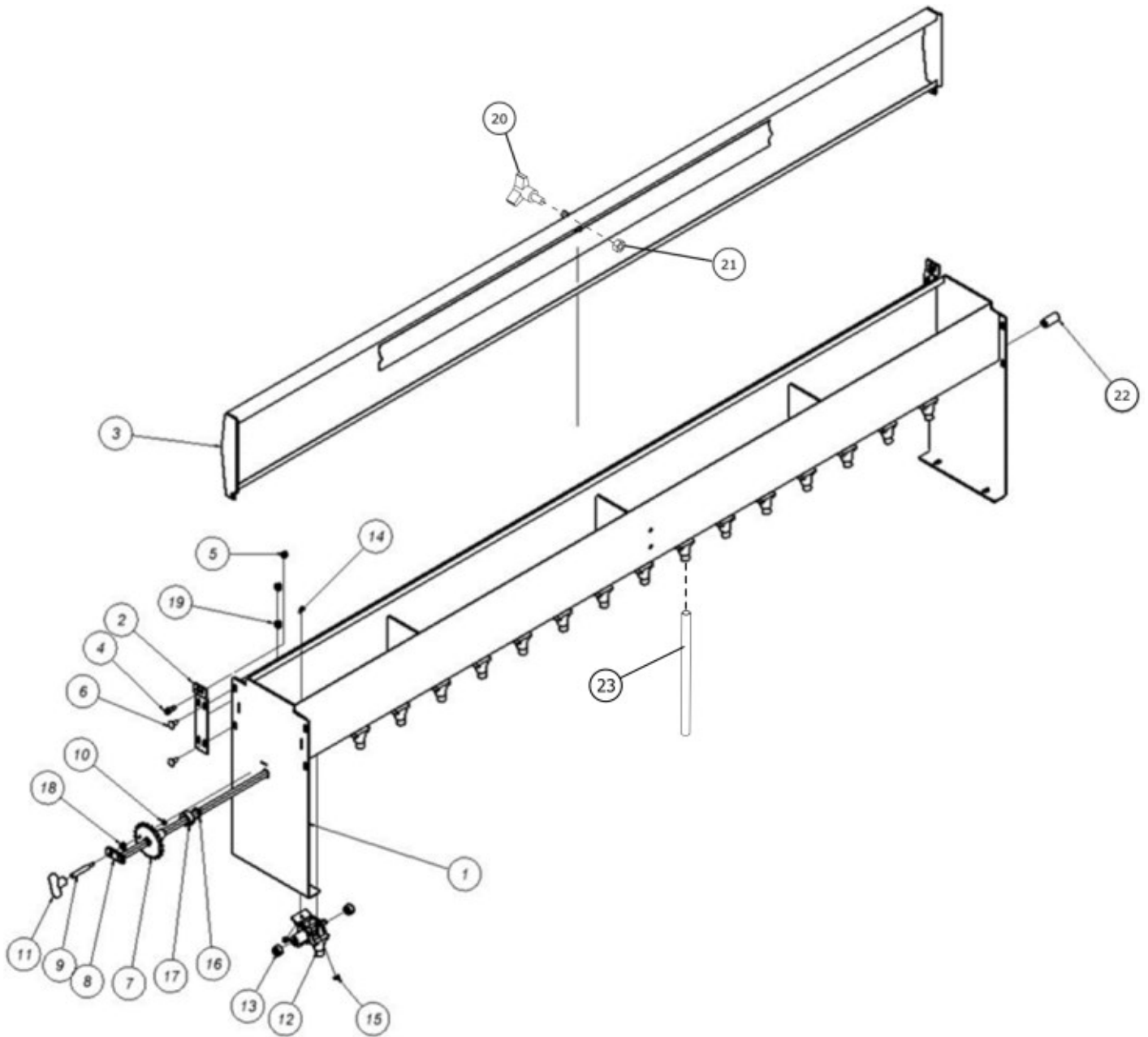


* See Note, page 33

Large Grass Seed Box - Greenscape 840

Item	Part #	Description	Qty.
1	SB101328	Large hopper weldment 7'	1
2	SB100289	Universal mounting plate	2
3	SB101332	Large hopper lid weldment 7'	1
4	SB500120	Bolt shoulder 5/16-18	2
5	SB500163	Nut nylock 5/16-18 Gr. 2	2
6	SB500116	Bolt carriage 5/16-18x3/4" Gr. 2	12
7	SB500118	Bolt HH 1/4-20x3/4 Gr. 5	2
8	SB500051	Washer flat 1/4"	2
9	SB500069	Washer lock 1/4"	2
10	SB500119	Nut HH 1/4-20 Gr. 2	2
11	SB100644	Large hopper seed cup assembly	10
12	SB500124	Machine screw truss head PHILLIPS 1/4-20x5/8 Gr. 5	20
13	SB500125	Nut flange 1/4-20 Gr. 2	20
14	SB100691	IGUS bearing MFI1620-10	4
15	SB100647	2 Hole bearing flange 47MSTZ9	2
16	SB100646	Bearing insert SB204-12	1
17	SB500121	Nut flange 5/16-18 Gr. 2	12
18	SB101337	Outboard bracket 7'	1
19	SB100633	Drive assembly weldment	1
20	SB101342	Drive shaft large hopper 7'	1
21	SB100476	Collar feed shaft	18
22	SB100628	Feed shaft adjuster	1
23	SB100593	Pointer feed shaft	1
24	SB500122	Machine screw truss head Phillips 10-24x5/8 Gr. 5	2
25	SB500123	Nut flange #10-24 Gr. 2	2
26	SB101344	Large hopper agitator shaft weldment 7'	1
27	SB100690	Shaft collar 1" bore	4
28	SB100636	Idler sprocket assembly	1
29	SB100592	Guard mounting clip	1
30	SB500127	Nut jam 3/4-10 Gr. 2	2
31	SB101357	Agitator weldment small 7'	2
32	SB500164	Set screw 3/8-16x1/2	6
33	SB101358	Agitator weldment large 7'	2
34	SB101749	Adjustment rod weldment 7'	1
35	SB100732	Washer plastic 3/8"	2
36	SB101287	Adjustment knob	1
37	SB500131	Bolt HH 3/8-16x1 Gr. 5	1
38	SB117496	Lid cable	1
39	SB1000000	Feed tube	8

Precision Legume Seed Box - Greenscape 840



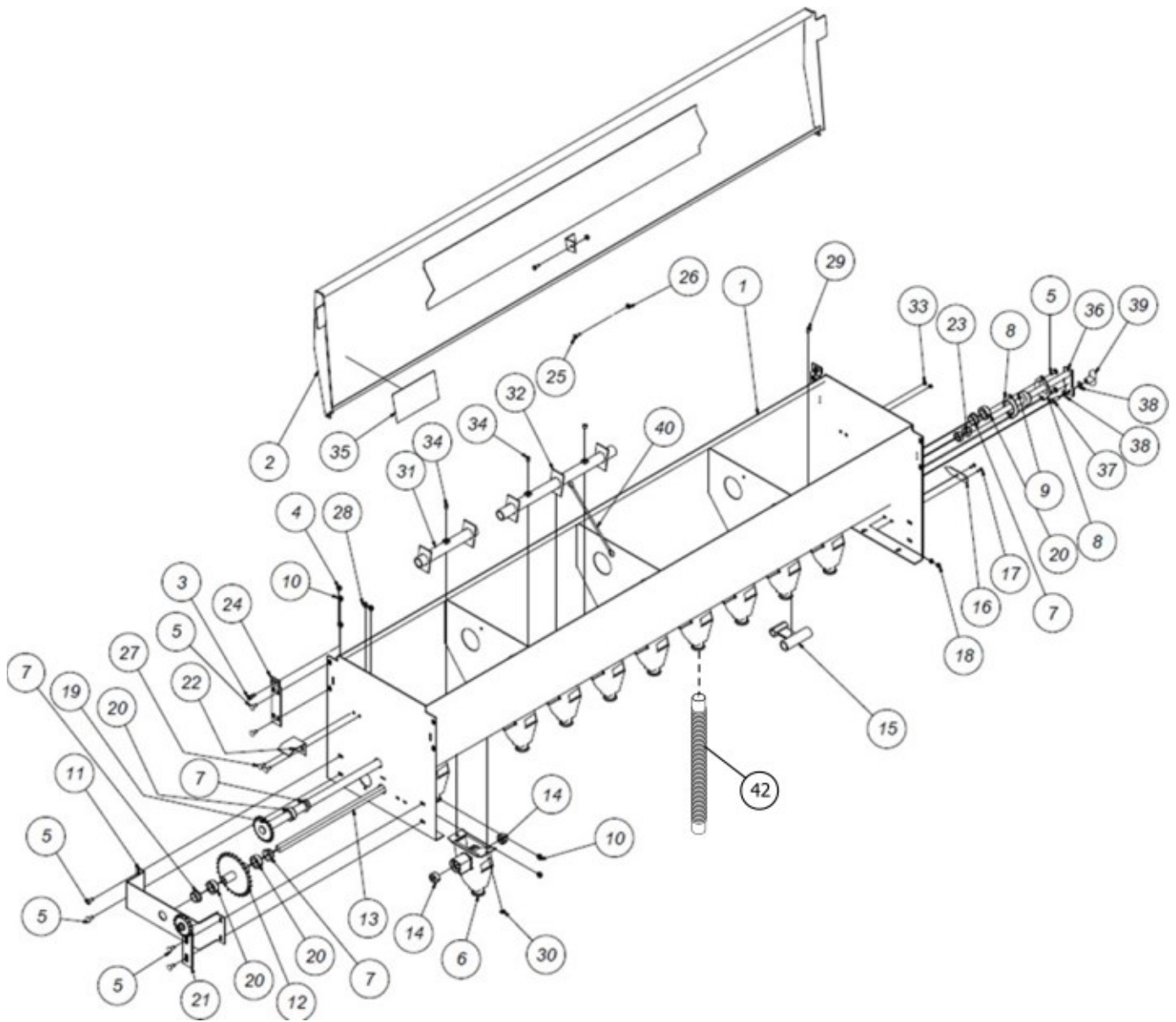
Precision Legume Seed Box - Greenscape 840

Item	Part #	Description	Qty.
1	SB101325	Small hopper weldment 7'	1
2	SB100289	Universal lid mounting plate	2
3	SB101331	Small hopper lid weldment 7'	1
4	SB500120	Shoulder bolt 5/16-18	2
5	SB500163	Nut nylock 5/16-18 Gr. 5	2
6	SB500116	Bolt carriage 5/16-18x3/4" Gr. 5	4
7	SB100718	Small hopper drive sprocket weldment	1
8	SB101335	Driveshaft weldment small hopper 7'	1
9	SB101284	Threaded rod w/shoulder	1
10	SB101286	Retainer clip	1
11	SB101287	Adjustment knob	1
12	SB100711	Small seed cup assembly	16
13	SB100719	Collar feed shaft small hopper	32
14	SB500122	Machine screw truss head Phillips 10-24x5/8 Gr. 5	32
15	SB500123	Nut flange #10-24 Gr. 5	32
16	SB101341	IGUS clip bearing MCI-12-02	1
17	SB100744	Shaft collar 3/4" bore	2
18	SB500186	Nut jam 3/8-16 Gr. 5	1
19	SB500121	Nut flange 5/16-18 Gr. 5	4
20	SB100617	Small pull handle	1
21	SB500110	Lock nut	1
22	SB101607	Spacer small decal "Scale"	1
23	SB10000200	Hose, small hopper 840	-

Fertilizer Hopper - Greenscape 840

Item	Part #	Description	Qty.
1	SB101552	Fertilizer hopper weldment 7'	1
2	SB101559	Fertilizer lid weldment 7'	1
3	SB500120	Should bolt 5/16-18	2
4	SB500163	Nut nylock 5/16-18 Gr. 2	2
5	SB500116	Bolt carriage 5/16-18x3/4" Gr. 2	10
6	SB101549	Fertilizer seed cup assembly	10
7	SB100691	IGUS bearing MF11620-10	4
8	SB100647	2 Hole bearing flange 47MSTZ9	2
9	SB100646	Bearing insert SB204-12	1
10	SB500121	Nut flange 5/16-18 Gr. 2	10
11	SB101337	Outboard bracket 7'	1
12	SB100633	Drive assembly weldment	1
13	SB101342	Drive shaft large hopper 7'	1
14	SB100476	Collar feed shaft	18
15	SB100628	Feed shaft adjuster	1
16	SB100593	Pointer feed shaft	1
17	SB500122	Machine screw truss head Phillips 10-24x5/8 Gr. 5	2
18	SB500123	Nut flange #10-24 Gr. 2	2
19	SB101562	Stainless agitator shaft weldment 7'	1
20	SB100690	Shaft collar 1" bore	4
21	SB100636	Idler sprocket assembly	1
22	SB100592	Guard mounting clip	1
23	SB500127	Nut jam 3/4-10 Gr. 2	2
24	SB101543	Lid mounting plate stainless	2
25	SB500458	Bolt HH 1/4-20x3/4 18-8 stainless	2
26	SB500459	Nut flange 1/4-20 18-8 stainless	2
27	SB500461	Bolt carriage 5/16-18x3/4" 18-8 stainless	2
28	SB500462	Nut flange 5/16-18 18-8 stainless	2
29	SB500166	Machine screw truss head Phillips 1/4-20x5/8 stainless	20
30	SB500167	Nut flange 1/4-20 stainless	20
31	SB101564	Stainless agitator weldment small 7'	2
32	SB101565	Stainless agitator weldment large 7'	2
33	SB100913	Plug plastic 11/32 hole (9688K241)	2
34	SB500464	Set screw 3/8-16x1/2 18-8 stainless	6
35	SB101600	Decal Warning "Chemical"	1
36	SB101749	Adjustment rod weldment 7'	1
37	SB500131	Bolt HH 3/8-16x1 Gr. 5	1

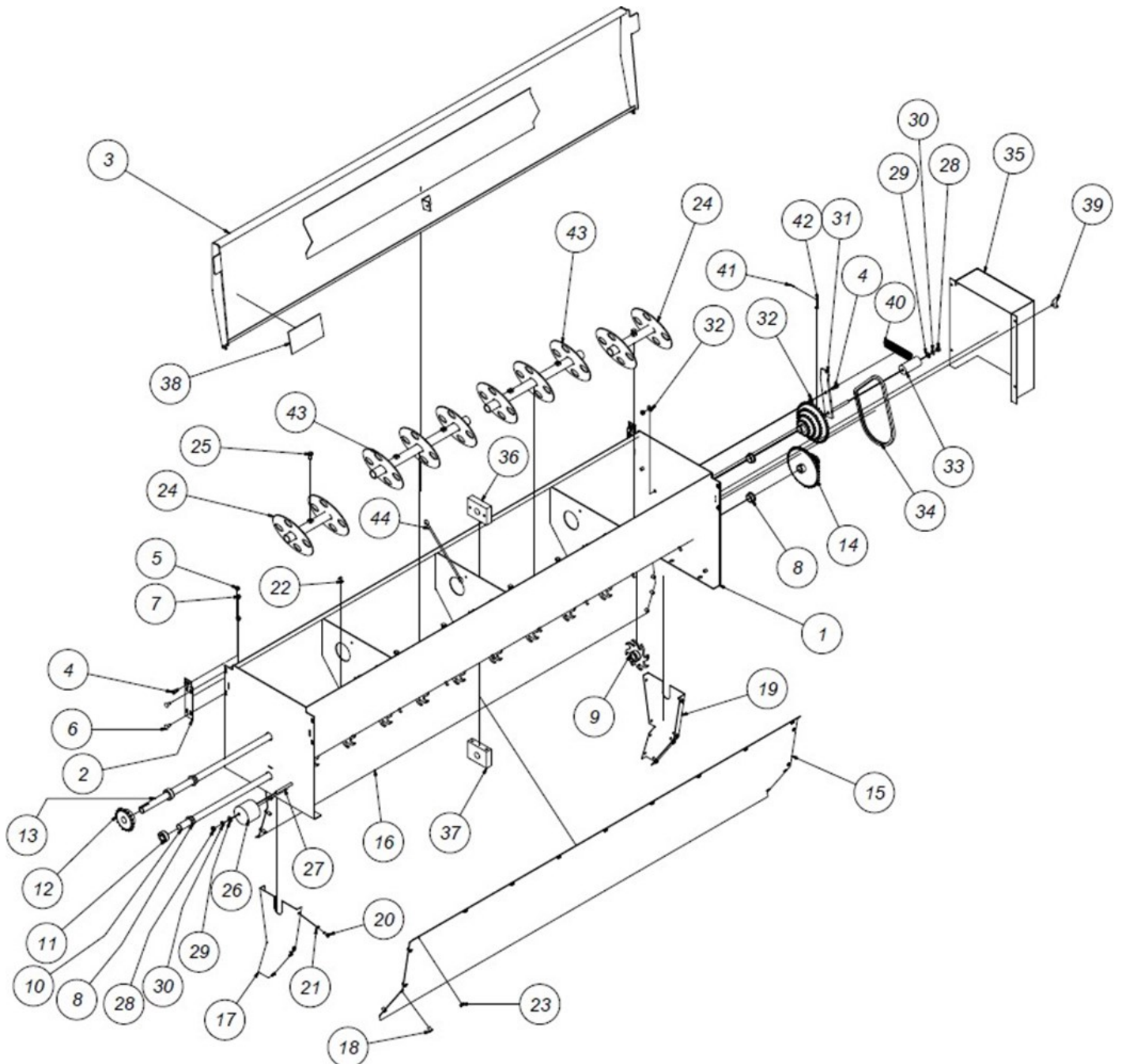
Fertilizer Hopper - Greenscape 840



Fertilizer Hopper - Greenscape 840

Item	Part #	Description	Qty.
38	SB100732	Washer plastic 3/8"	2
39	SB101287	Adjustment knob	1
40	SB117496	Lid cable	1
41	SB1000000	Feed tube	8
42	SB1000001	Hose, Large Hopper 600	8

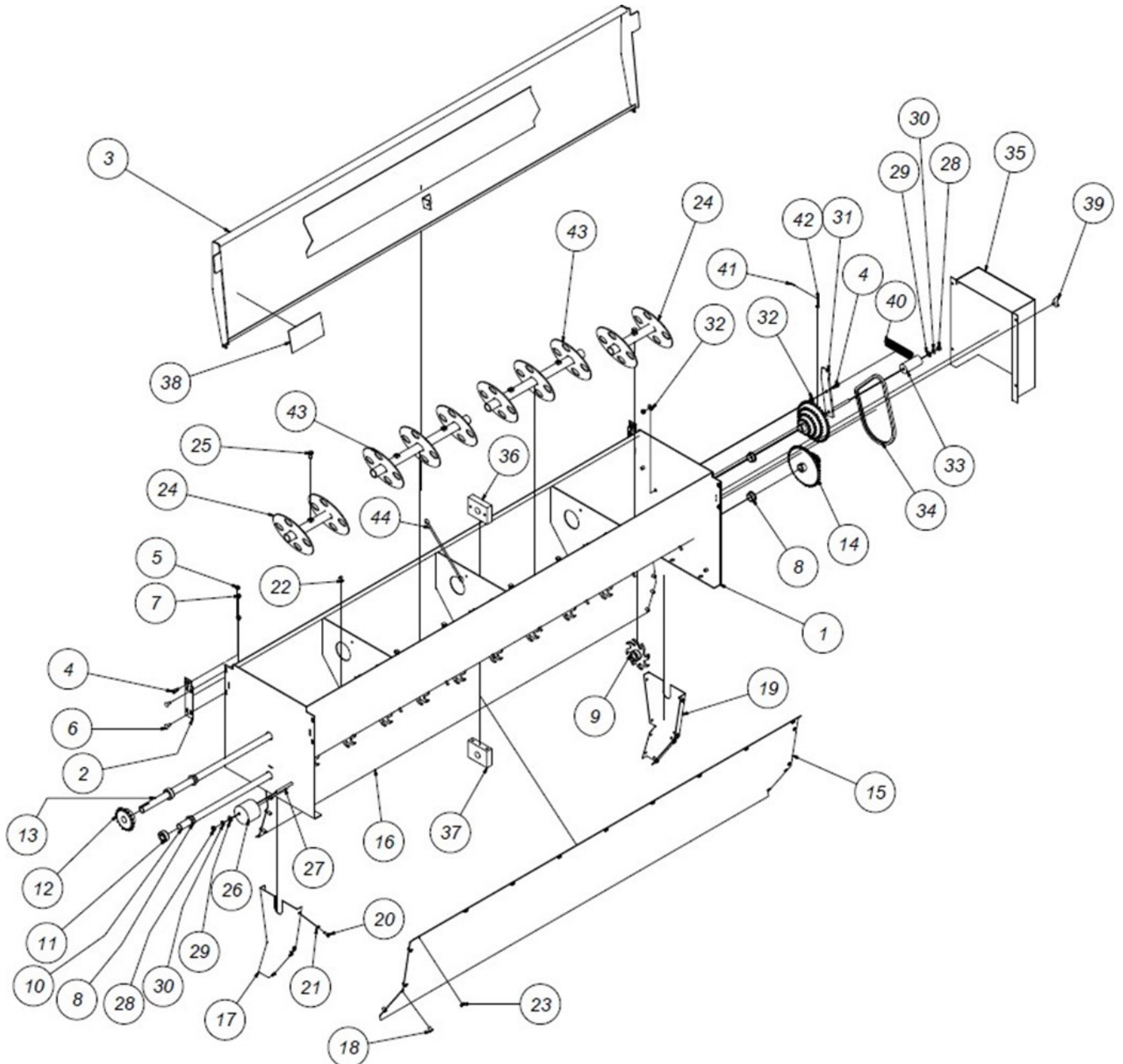
Native Grass Seed Box - Greenscape 840



Native Grass Seed Box - Greenscape 840

Item	Part #	Description	Qty.
1	SB101454	Native grass hopper weldment 7'	1
2	SB100289	Universal mounting plate	2
3	SB101332	Large hopper lid weldment 7'	1
4	SB500120	Bolt shoulder 5/16-18	3
5	SB500163	Nut nylock 5/16-18 Gr. 2	3
6	SB500116	Bolt carriage 5/16-18x3/4" Gr. 2	4
7	SB500121	Nut flange 5/16-18 Gr. 2	4
8	SB100691	IGUS bearing MFI1620-10	4
9	SB100689	Spur weldment native grass	10
10	SB101458	Native grass driveshaft 7'	1
11	SB100690	Shaft collar 1" bore	2
12	SB100692	Sprocket 50BS17H (1" bore)	1
13	SB101459	Native grass agitator shaft 7'	1
14	SB101465	Drive sprocket weldment	2
15	SB101466	Rear sheet metal panel	1
16	SB101467	Front sheet metal panel	1
17	SB101468	End cap LH	1
18	SB100534	Knurled insert 1/4-20	20
19	SB101469	End cap RH	1
20	SB500118	Bolt HH 1/4-20x3/4 Gr. 5	16
21	SB500069	Washer lock 1/4"	16
22	SB500124	Machine screw truss head Phillips 1/4-20x5/8 Gr. 5	18
23	SB500125	Nut flange 1/4-20 Gr. 2	18
24	SB100686	Agitator weldment native grass	2
25	SB500456	Screw square head 3/8-16x3/4 Gr. 5	6
26	SB101470	UHMW idler block	1
27	SB500221	Bolt HH 3/8-16x3 1/2 Gr. 5	1
28	SB500115	Nut HH 3/8-16 Gr.2	2
29	SB500053	Washer flat 3/8"	2
30	SB500071	Washer lock 3/8"	2
31	SB101578	Idler bracket weldment native grass	1
32	SB100732	Washer plastic 3/8"	2
33	SB101580	UHMW idler native grass	1
34	SB10000204	Roller chain #40 x 28 links	1
35	SB101583	Cover panel weldment native grass	1
36	SB101584	Agitator shaft holder native grass	1
37	SB101585	Drive shaft holder native grass	1

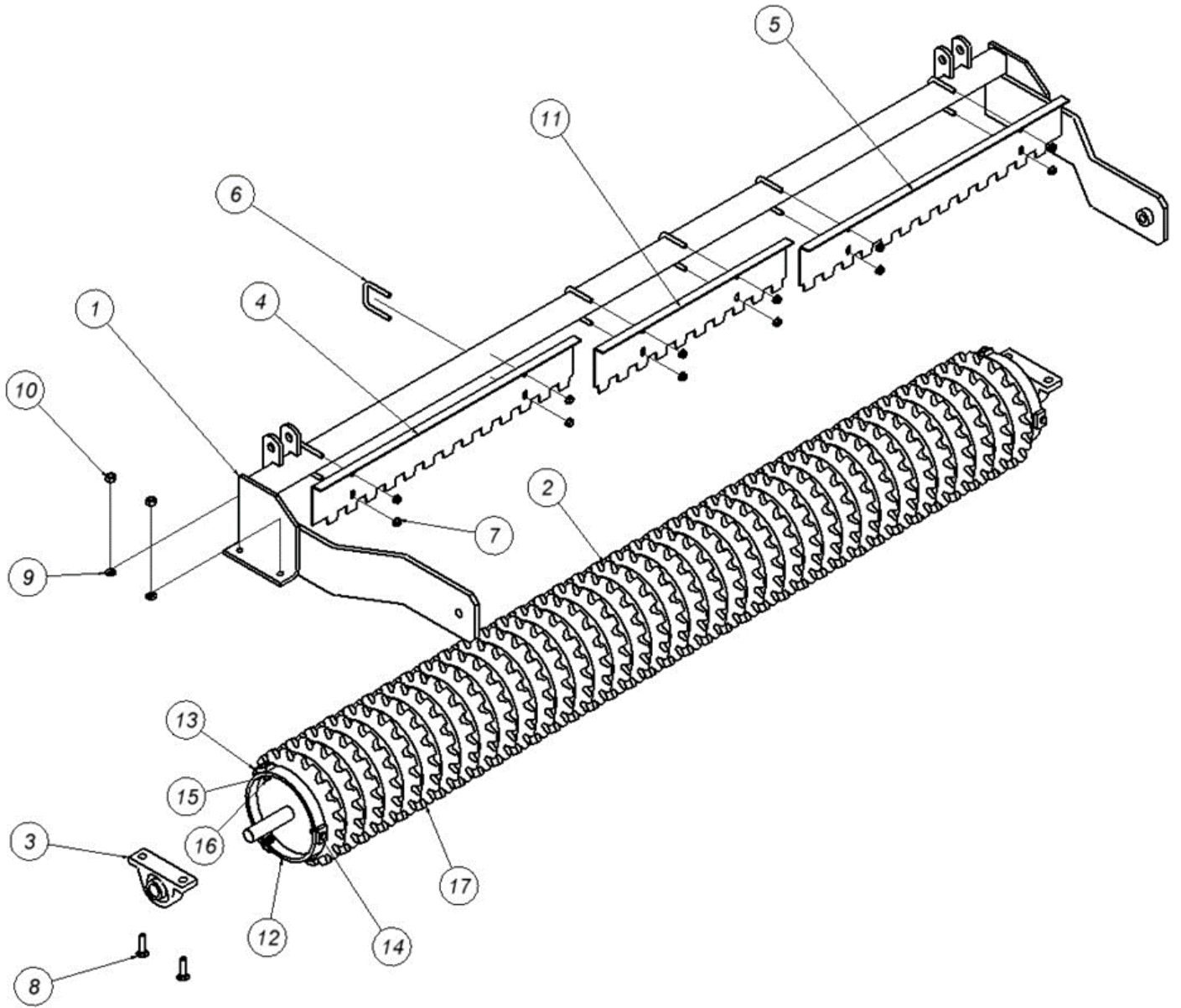
Native Grass Seed Box - Greenscape 840



Native Grass Seed Box - Greenscape 840

Item	Part #	Description	Qty.
38	SB101597	Decal Calibration Chart Native Grass	1
39	SB500465	Winged thumb screw 1/4-20x1/2	4
40	SB101606	Spring native grass idler	1
41	SB500467	Cotter pin 1/16 x 1/2	2
42	SB500466	Clevis pin 1/4 x 1-3/8	2
43	SB102123	Agitator weldment 7' N. grass center	2
44	SB117496	Lid cable	1

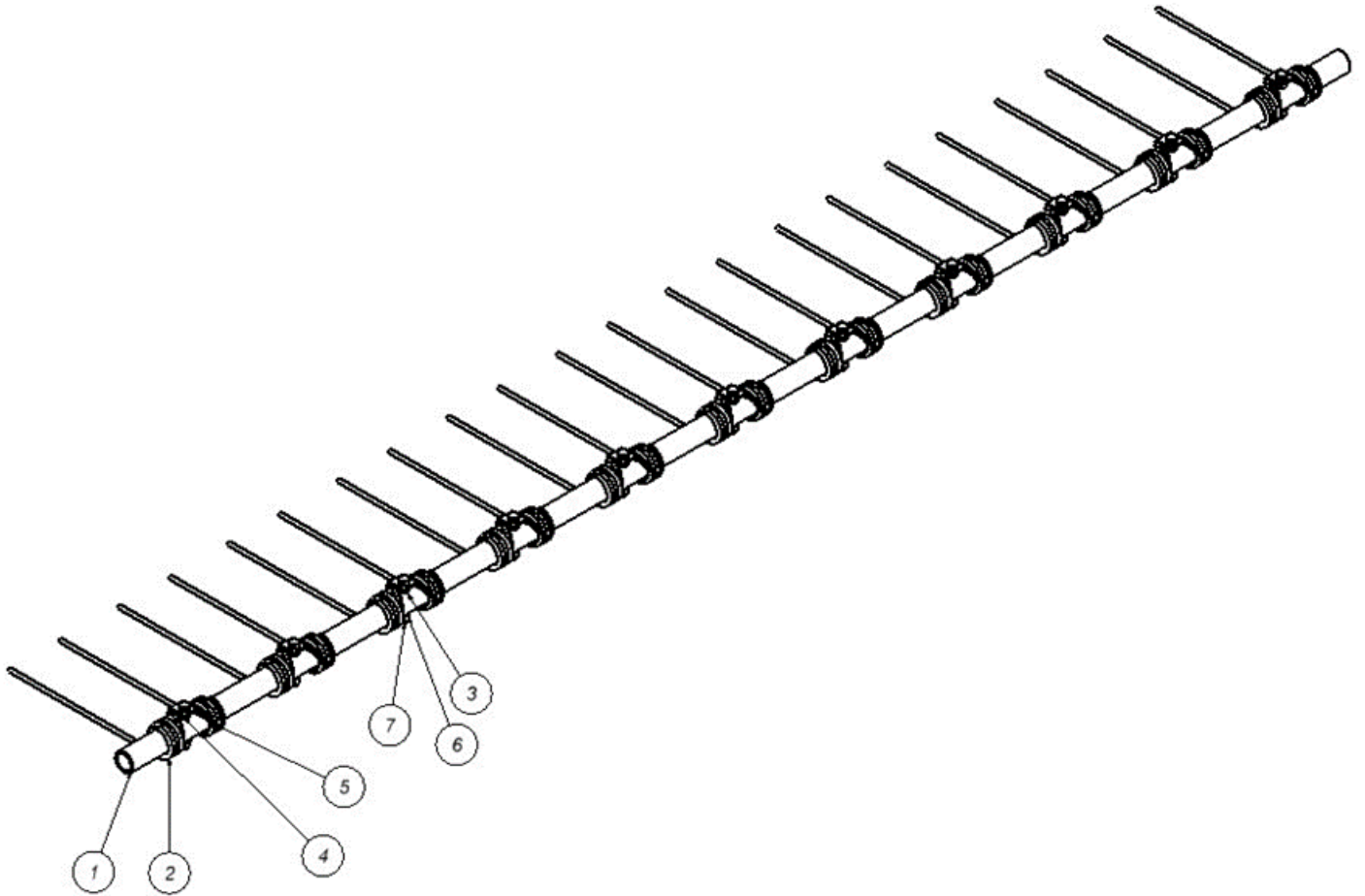
Corrugated Roller Assy & Opt. Scraper Greenscape 600/840



Corrugated Roller Assy & Opt. Scraper Greenscape 600/840

Item	Part #	Description	Qty.	Qty.
			600	840
1	SB100694	5' Cultipacker frame weldment	1	-
	SB101168	5' Cultipacker frame weldment	-	1
2	SB100679	5' Cultipacker roller assembly nylon	1	-
	SB100678	5' Cultipacker roller assembly cast iron	1	-
	SB101172	7' Cultipacker roller assembly nylon	-	1
	SB101175	7' Cast iron cultipacker roller assembly	-	1
3	SB100497	Pillow block bearing NAP207-20	2	2
4	SB100285	Roller scraper RH Plastic ring	1	1
	SB100297	Roller scraper RH, cast ring	1	
5	SB100286	Roller scraper LH, plastic ring	1	1
	SB100298	Roller scraper LH, cast ring	1	
6	SB100705	U-bolt cultipacker	4	6
7	SB500132	Nut flange 3/8-16 Gr. 5	8	12
8	SB500133	Bolt carriage 1/2-13x2 Gr. 5	4	4
9	SB500073	Washer lock 1/2"	4	4
10	SB500104	Nut HH 1/2-13 Gr. 5	4	4
11	SB101173	Roller scraper center nylon	-	1
	SB101176	Roller scraper center cast ring	-	1
12	SB101171	7' Cultipacker roller weldment	-	1
	SB100677	Cultipacker roller weldment	1	-
13	SB100472	Disc retainer tab w/hole	6	6
14	SB500129	Bolt HH 3/8-16x1 1/4 Gr.5	6	6
15	SB500071	Washer lock 3/8"	6	6
16	SB500115	Nut HH 3/8-16 Gr. 5	6	6
17	SB100676	Nylon cultipacker ring	27	37
	SB100675	Cast iron cultipacker ring	28	38

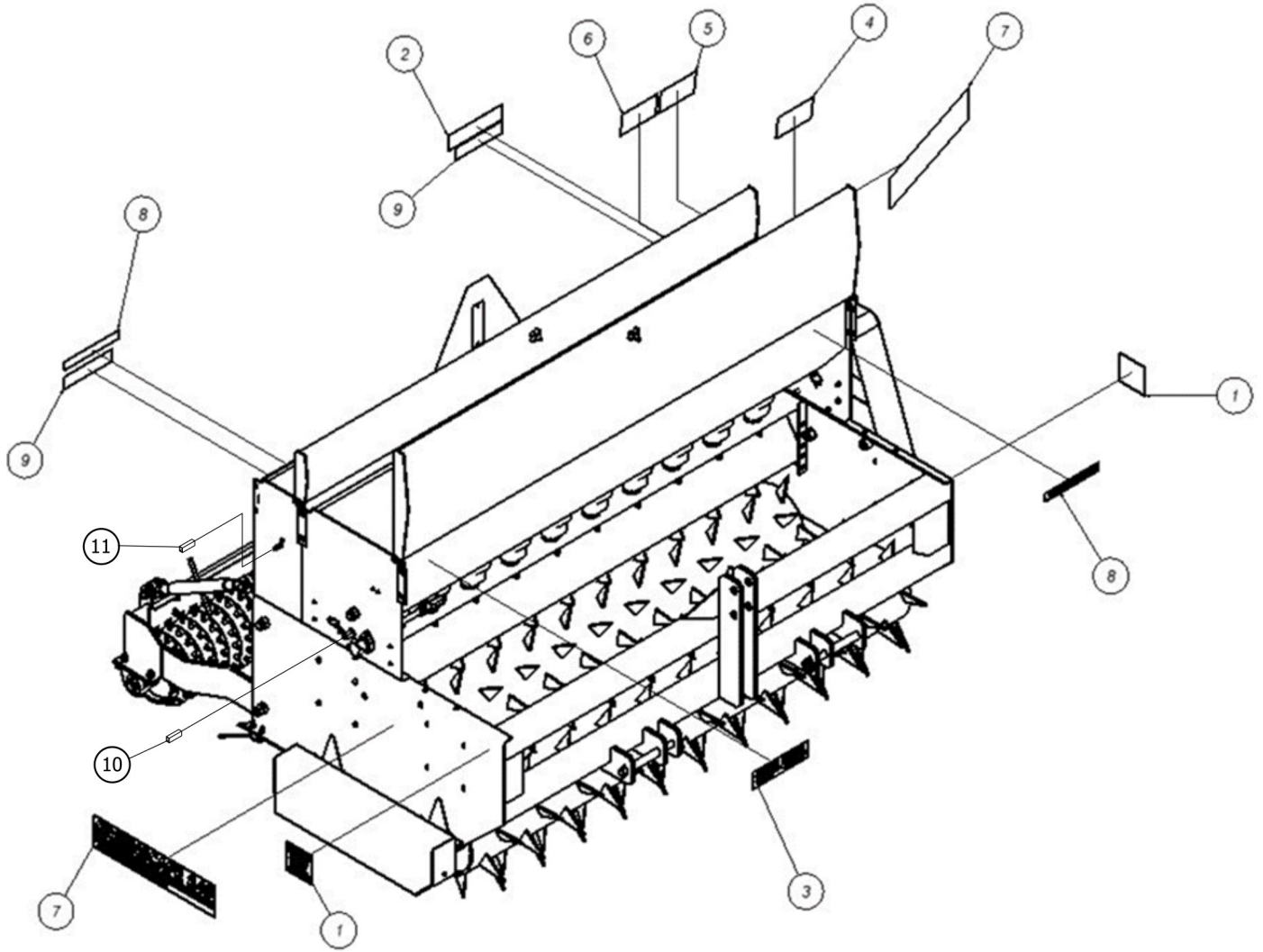
Tine Bar Assembly - Greenscape 600 & 840



Tine Bar Assembly - Greenscape 600 & 840

Item	Part #	Description	Qty.
1	SB100471	Tine bar (Model 600)	1
	SB101166	Tine bar (Model 840)	1
2	SB100722	Coil tine	-
3	SB100725	Tine bar spacer	-
4	SB100724	Tine hold down	-
5	SB500135	Bolt HH 3/8-16x2 1/2 Gr. 5	-
6	SB500071	Washer lock 3/8"	-
7	SB500115	Nut HH 3/8-16 Gr. 5	-

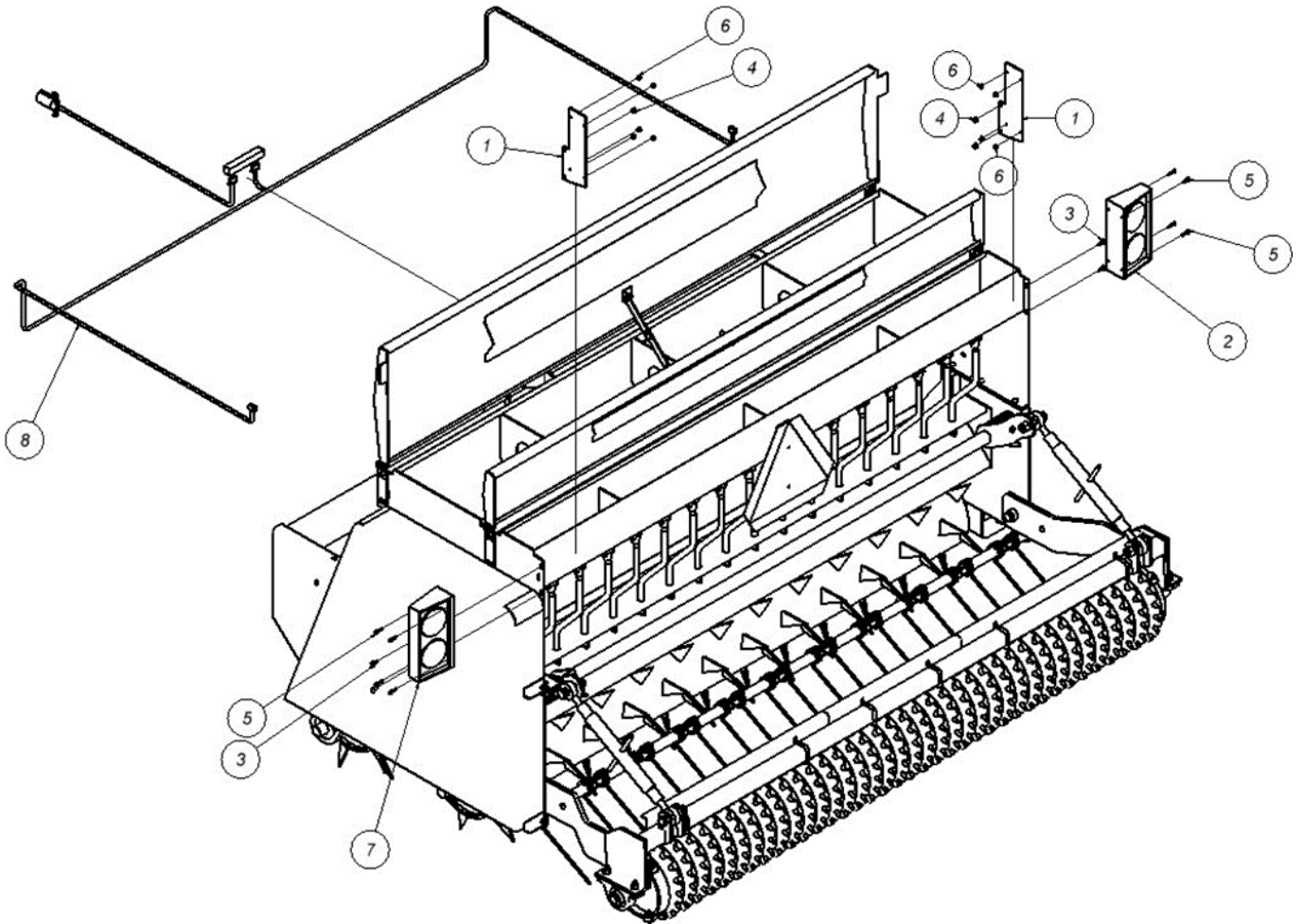
Decal Layout - Greenscape 600 & 840



Decal Layout - Greenscape 600 & 840

Item	Part #	Description	Qty.
1	SB100759	Decal Caution	2
2	SB100761	Decal "Emerge Plus"	1
3	SB101529	Decal "Belco Resources Equipment"	1
4	SB100764	Decal Calibration Chart 2	1
5	SB100765	Decal Calibration Chart 3	1
6	SB100766	Decal Calibration Chart 4	1
	SB100763	Decal "Greenscape 600" large	1
7	SB101569	Decal "Greenscape 840" large	2
	SB100760	Decal "Greenscape 600" small	2
8	SB101570	Decal "Greenscape 840" small	2
9	SB101379	Decal Red Retroreflective 2" x 9"	2
10	SB101177	Decal Scale large hopper	1
11	SB101178	Decal Scale small hopper	1

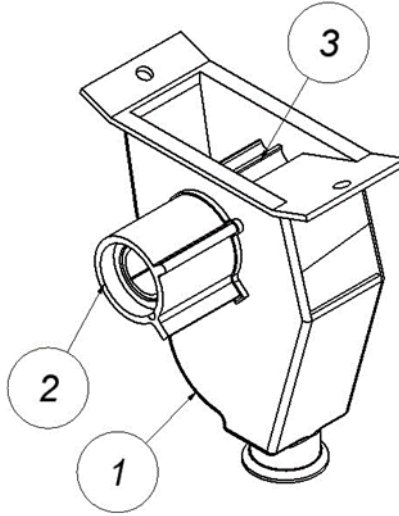
Optional Light Kit - Greenscape 600 & 840



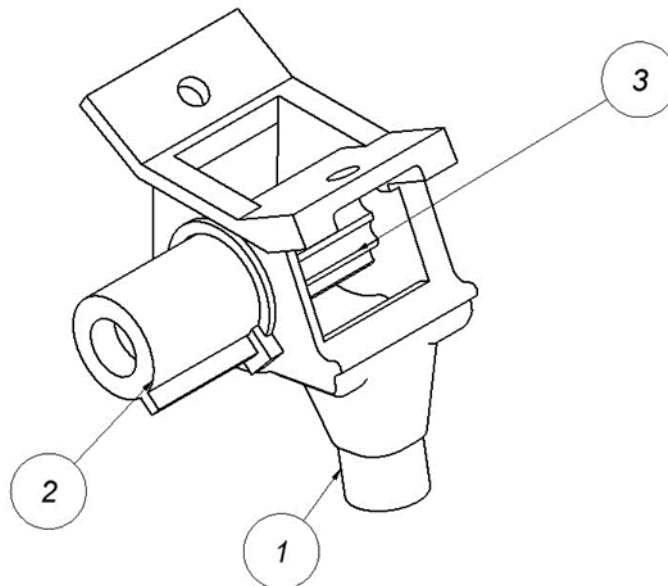
Optional Light Kit - Greenscape 600 & 840

Item	Part #	Description	Qty.
1	5SB101586	Light mounting bracket	2
2	5SB101740	Ag light RH	1
3	5SB500116	Bolt carriage 5/16-18x3/4" Gr. 5	4
4	5SB500121	Nut flange 5/16-18 Gr. 5	4
5	5SB500198	Bolt HH 1/4-20x1 Gr. 5	8
6	5SB500125	Nut flange 1/4-20 Gr. 5	8
7	5SB101741	Ag light LH	1
8	5SB101743	Complete wiring harness	1

Tine Bar Assembly - Greenscape 600 & 840



Item	Part #	Description	Qty.
1	SB100643	Seed cup housing (J.D.) AN280009	1
2	SB100642	Seed cup spacer (J.D.) M60864	1
3	SB100641	Seed cup gear (J.D.) M60865	1
	SB101550	Fertilizer seed cup gear	1



Item	Part #	Description	Qty.
1	SB100710	Precision legume cup housing	1
2	SB100708	Precision legume cup spacer	1
3	SB100709	Precision legume cup gear	1

Warranty

LIMITED WARRANTY

Belco Resources Equipment warrants to the original purchaser of any new piece of machinery from Belco Resources Equipment, purchased from an authorized Belco Resources Equipment dealer, that the equipment be free from defects in material and workmanship for a period of one (1) year for non-commercial, state, and municipalities' use, ninety (90) days for commercial use from date of retail sale. Warranty for rental purposes is thirty (30) days. The obligation of Belco Resources Equipment to the purchaser under this warranty is limited to the repair or replacement of defective parts.

Replacement or repair parts installed in the equipment covered by this limited warranty are warranted for ninety (90) days from the date of purchase of such part or to the expiration of the applicable new equipment warranty period, whichever occurs later. Warranted parts shall be provided at no cost to the user at an authorized Belco Resources Equipment dealer during regular working hours. Belco Resources Equipment reserves the right to inspect any equipment or parts, which are claimed to have been defective in material or workmanship.

This limited warranty does not apply to and excludes wear items such as shear pins, tires, tubes knives, blades or other wear items. Oil or grease is not covered by this warranty.

All obligations of Belco Resources Equipment under this limited warranty shall be terminated if:

Proper service is not performed on the machine.

The machine is modified or altered in any way.

The machine is being used or has been used for purposes other than those for which the machine was intended.

DISCLAIMER OF IMPLIED WARRANTIES & CONSEQUENTIAL DAMAGES

Belco Resources Equipment obligation under this limited warranty, to the extent allowed by law, is in lieu of all warranties, implied or expressed, including implied warranties of merchantability and fitness for a particular purpose and any liability for incidental and consequential damages with respect to the sale or use of the items warranted. Such incidental and consequential damages shall include but not be limited to: transportation charges other than normal freight charges; cost of installation other than cost approved by Belco Resources Equipment; duty; taxes; charges for normal service or adjustment; loss of crops or any other loss of income; rental of substitute equipment, expenses due to loss, damage, detention or delay in the delivery.

REGISTRATION

The online Warranty Registration must be completed in order to qualify for coverage on this Limited Warranty. Visit br-equipment.com, click on "Warranty Registration" and completely fill out the form to register the new piece of equipment.

Page left blank intentionally



401 Jeffreys Road
Rocky Mount, NC 27804
www.br-equipment.com

Tel: 252-822-7140
Fax: 252-787-5855
Sales@br-equipment.com